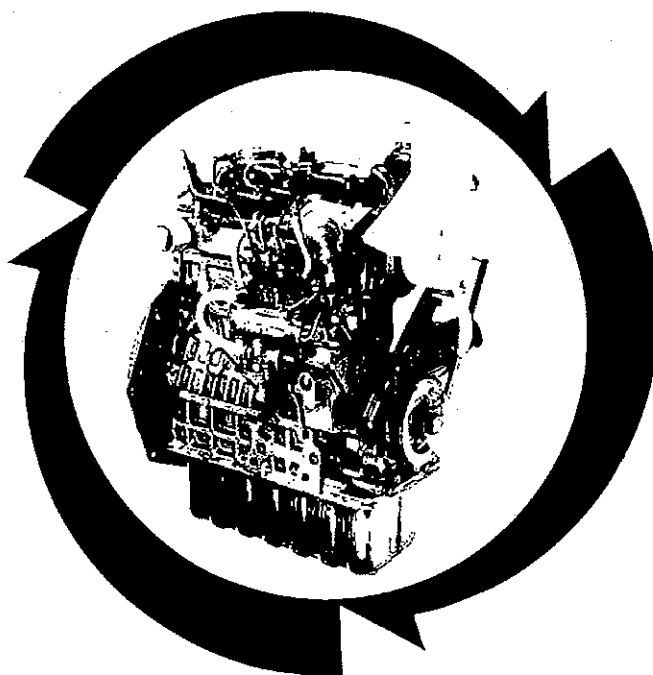


ILLUSTRATED PARTS LIST

KUBOTA

D902-E4B-PBS-1

DIESEL ENGINE



Kubota

97898-80830
MAR. 2013

NOTICE

This Parts List is for the following purposes.

1. When ordering parts, check with this Parts List to confirm the part number and the name of parts.
2. When making repairs, refer to the illustrations in this Parts List.
3. This Parts List is subject to change without notice.

MODEL	CODE No.
D902-E4B-PBS-1	1J965-12000

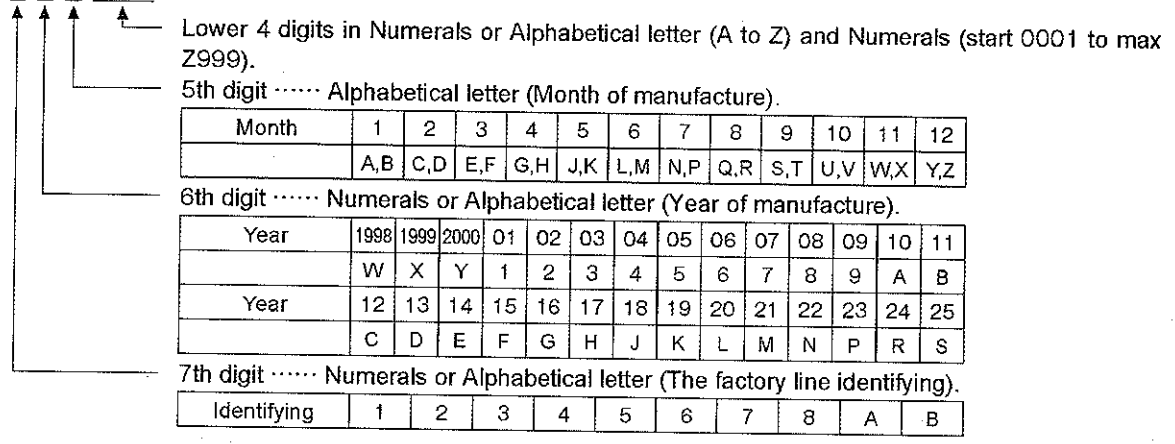
- ① Fig. No. Represents No. corresponding to each group name.
- ② Specifications The types and destinations of sister models are indicated. These indications are given to (for sister models) tell their relevant pages in this book.
The symbols, (EC) (UK) (SE) and (ITA) in the "REMARKS" column or "HEADING" show the models as to the following types.

(SYMBOL)	(TYPE)
(EC).....	M8540DTHC(4WD)/M9540DTHC(4WD) EUROPE SPEC.
(UK).....	M8540DTHC(4WD)/M9540DTHC(4WD) UNITED KINGDOM SPEC.
(SE).....	M8540DTHC(4WD)/M9540DTHC(4WD) SOUTHERN EUROPE SPEC.
(ITA).....	M8540DTHC(4WD)/M9540DTHC(4WD) ITALY SPEC.
(G-PTO)...	GROUND PTO SPEC.
(DS).....	DUAL SPEED SPEC.

- ③ Components The components of an assembly are identified by a bracket of dotted lines.
- ④ Point Indicates that the parts is not sold independently.
The assembly (Ref.No.050) containing the part needs to be ordered.
- ⑤ REF. No. Reference numbers are assigned to parts in the illustration. The code number of a part in the illustration can be identified by referring to the same reference number in the parts list.
- ⑥ Model name The name of the basic model is indicated in this column. Other applicable models are indicated on the "REMARKS" column ⑨.
A LINE M8540DTHC(4WD) EUROPE, SOUTHERN EUROPE and ITALY SPEC.
B LINE M8540DTHC(4WD) UNITED KINGDOM SPEC.
C LINE M9540DTHC(4WD) EUROPE, SOUTHERN EUROPE and ITALY SPEC.
D LINE M9540DTHC(4WD) UNITED KINGDOM SPEC.
- ⑦ S. No. Indicates a group of serial numbers to which a design change is applied.
(serial No.)

Engine Serial No.

8 7 J 0001
8 7 K A001

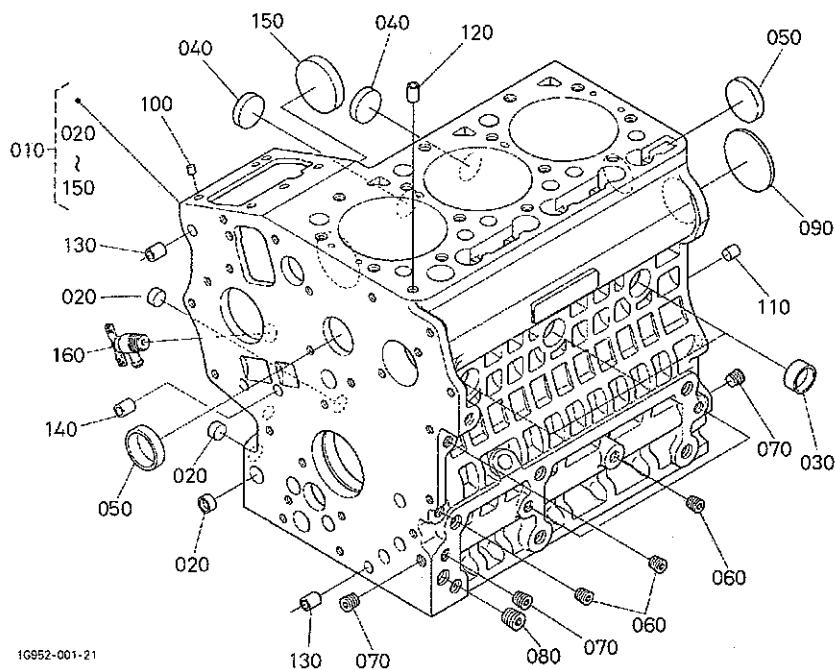


- ⑧ I. C. Indicates the interchangeability of parts due to design change.
(interchangeability)
- Example-1 ← indicates that a new part can replace an old part, but not vice versa.
15800-0000-0 is applicable to the first serial number to S. No. 15000.
15800-0000-2 is applicable to the first serial number and above.
- Example-2 ≠ indicates that the new and old parts are not interchangeable.
15800-1000-0 is applicable to the first serial number to S. No. 15000.
15800-1000-2 is applicable to S. No. 15001 and above.
- Example-3 ↔ indicates that the new and old parts are interchangeable. Both 15800-2000-0 and
15830-2000-0 are applicable to the first serial number and above.
- ⑨ REMARKS 1 In this column, enter other applicable model names, dimensions and other special items.
The following symbols and abbreviations are used throughout this book.
29*12.00-15 ... Tire size sq.m ... m² sq.mm ... mm²
cu.m ... m³ cu.mm ... mm³ D ... Diameter L ... Length
W/G No. ... Whole goods number.
STD ... Standard SET ... Set sale T ... Teeth
OLD ... Old parts, old shapes or old models
NEW ... New parts, new shapes or new models
- ⑩ REMARKS 2 The following expressions are used in NOTE for each group.
Machines' serial numbers are indicated as follows.
<=15000 Serial number below 15000.
>=15001 Serial number above 15001.
14000 to 15000 Serial number 14000 to 15000.
For some models, the above expressions may also be used REMARKS 1 ⑨.
- ⑪ Fig. No. Indicates the numbers of figures for the parts that are shown in virtual images.
(virtual images) A figure numbers with XX means that there are two or more figures depending on the
sister models or the production lots.

CONTENTS

[D902-E4B-PBS-1]	
000100	CRANKCASE.....1
000200	OIL PAN.....2
000300	CYLINDER HEAD.....3
000400	GEAR CASE.....4
000500	HEAD COVER.....5
000600	OIL FILTER.....6
000700	DIPSTICK AND GUIDE.....7
000800	OIL PUMP.....8
010000	MAIN BEARING CASE.....9
010100	CAMSHAFT AND IDLE GEAR SHAFT.....10
010200	PISTON AND CRANKSHAFT.....11
010300	FLYWHEEL.....12
010500	FUEL CAMSHAFT AND GOVERNOR SHAFT.....13
018000	IDLE APPARATUS.....14
020100	STOP SOLENOID.....15
020200	INJECTION PUMP.....16
020400	GOVERNOR.....17
020500	SPEED CONTROL PLATE.....18
020600	NOZZLE HOLDER AND GLOW PLUG.....19
020700	NOZZLE HOLDER [COMPONENT PARTS].....20
030000	FUEL FILTER.....22
030100	FUEL PUMP (MECHANICAL).....23
040200	ALTERNATOR AND PULLEY.....24
040300	ALTERNATOR [COMPONENT PARTS].....25
040400	STARTER.....26
040500	STARTER [COMPONENT PARTS].....27
040600	OIL SWITCH AND PLUG.....28
050000	WATER FLANGE AND THERMOSTAT.....29
050100	WATER PUMP.....30
050300	WATER PIPE.....31
050400	FAN.....32
050500	RESERVE TANK.....33
060000	VALVE AND ROCKER ARM.....34
060100	INLET MANIFOLD.....35
060200	EXHAUST MANIFOLD.....36
060500	MUFFLER.....37
080900	LABEL AND OPERATOR'S MANUAL.....38
090001	UPPER GASKET KIT [OPTION].....39
090002	LOWER GASKET KIT [OPTION].....40
090100	METAL KIT [OPTION].....41
090300	PISTON KIT [OPTION].....42
■	NUMERICAL INDEX.....43

000100 CRANKCASE



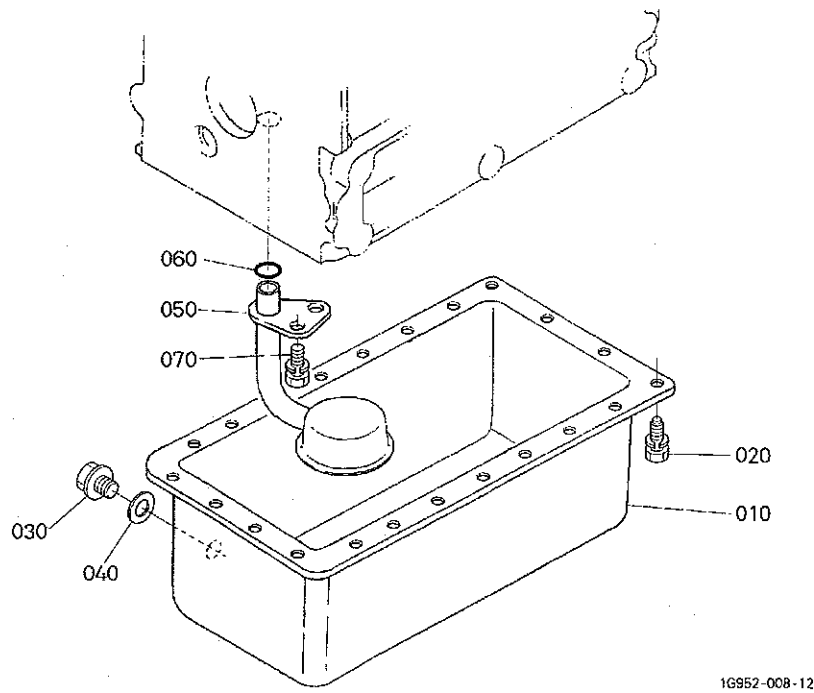
16952-001-21

A:D902-E4B-PBS-1

REF.No.	PART No.	PART NAME	QTY/S.No.	I.C.	REMARKS
			A		
010	16319-0101-4	COMP.CRANKCASE	1		
020	16851-9626-0	CAP,SEALING	3		
030	16851-9627-0	CAP,SEALING	3		
040	06311-85025	CAP,SEALING	2		
050	15451-9627-0	CAP,SEALING	2		
060	15261-9601-0	PLUG	5		
070	15521-9602-0	PLUG	3		
080	15521-9603-0	PLUG	1		
090	15261-9616-0	PLUG,EXPANSION	1		
100	05012-00508	PIN,STRAIGHT	2		
110	05012-00814	PIN,STRAIGHT	2		
120	15221-3365-0	PIN,PIPE	1		
130	17331-5919-0	PIN,PIPE	2		
140	17331-5919-0	PIN,PIPE	2		
150	16851-1621-2	COVER,FUEL CAMSHAFT	1		
160	16871-7302-0	COCK,ASSY	1		

↔ Interchangeable; ≠ not interchangeable; ← new for old; → old for new

000200 OIL PAN

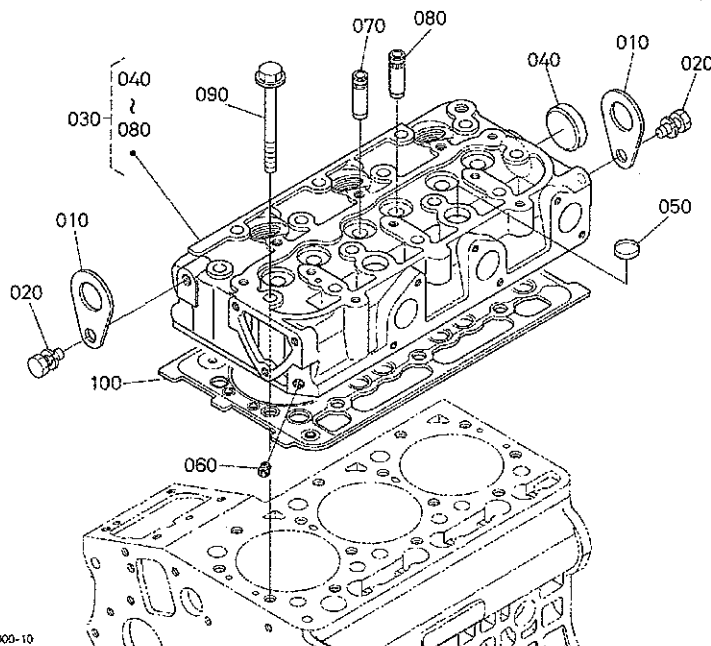


A:D902-E4B-PBS-1

REF.No.	PART No.	PART NAME	Q'TY/S.No.	I.C.	REMARKS
			A		
010	1E103-0150-0	COMP.OIL PAN	1		
020	01023-50612	BOLT,SEMS	22		
030	13901-3375-0	PLUG,DRAIN	1		
040	6C090-5896-0	GASKET	1		
050	16851-3211-0	FILTER,OIL	1		
060	04814-00160	O RING	1		
070	01123-50814	BOLT,SEMS	1		

↔ Interchangeable; ≠ not Interchangeable; ← new for old; → old for new

000300 CYLINDER HEAD



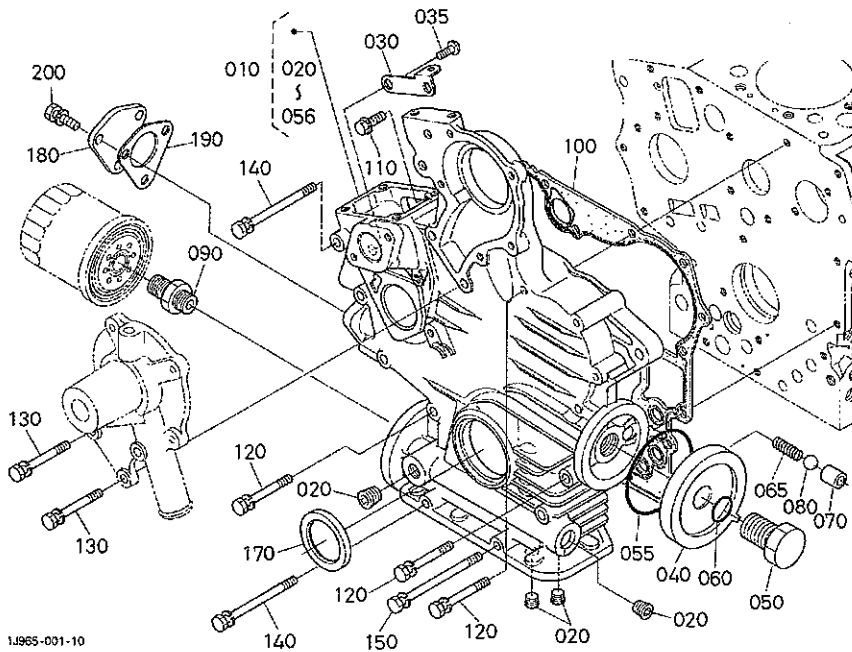
1:985-000-10

A:D902-E4B-PBS-1

REF.No.	PART No.	PART NAME	Q'TY/S.No.	I.C.	REMARKS
			A		
010	15221-0175-0	HOOK,ENGINE	2		
020	01123-50816	BOLT,SEMS	2		
030	1J025-0304-0	COMP.CYLINDER HEAD	1		
040	15321-9626-0	CAP,SEALING	1		
050	15261-0337-0	CAP,SEALING	2		
060	15261-9601-0	PLUG	1		
070	15841-1354-0	GUIDE, INLET VALVE	3		
080	15841-1356-0	GUIDE, EXHAUST VALVE	3		
090	14601-0345-0	BOLT,CYLINDER HEAD	14		
100	1G962-0331-3	GASKET,CYL.HEAD	1		

↔ Interchangeable; ≠ not interchangeable; ← new for old; → old for new

000400 GEAR CASE



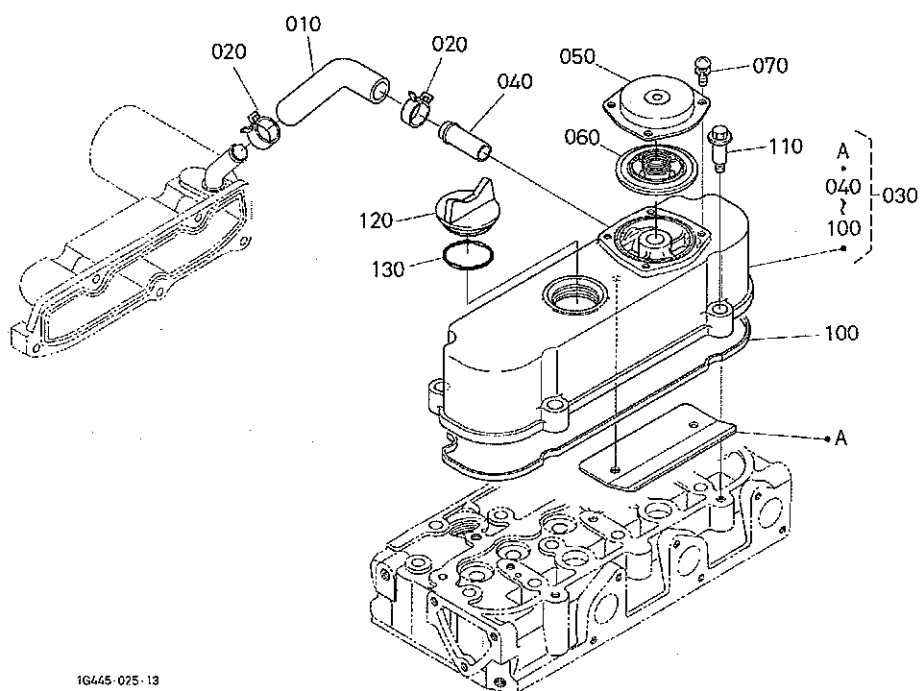
1J965-001-10

A:D902-E4B-PBS-1

REF No	PART No.	PART NAME	Q'TY/S.No.	I.C.	REMARKS
			A		
010	1E152-0402-2	COMP.CASE,GEAR	1		
020	15521-9603-0	PLUG	4		
030	1G820-5628-2	STAY,START SPRING	1		
035	16861-9331-0	SCREW,PAN HD	2		
040	1G639-3288-0	COVER	1		
050	16259-3290-0	BOLT	1		
055	04814-50600	O RING	1		
060	04814-00150	O RING	1		
065	16851-3695-0	SPRING	1		
070	15841-3693-0	SEAT,VALVE	1		
080	07715-03211	BALL	1		
090	15241-3229-0	JOINT,PIPE	1		
100	1G962-0413-0	GASKET(CASE,GEAR)	1		
110	01754-50616	BOLT,FLANGE	1		
120	01023-50650	BOLT,SEMS	8		
130	15841-9101-0	BOLT	2		
140	01023-50680	BOLT,SEMS	3		
150	01023-50690	BOLT,SEMS	1		
160	---	BLANK	-		
170	15877-0414-0	SEAL,OIL	1		#
170	1J094-0414-0	SEAL,OIL	1	←	#
180	19682-9806-2	COVER	1		
190	19483-3312-3	PACKING,FLANGE	1		
200	01023-50618	BOLT,SEMS	3		

↔ Interchangeable; ≠ not Interchangeable; ← new for old; → old for new

000500 HEAD COVER



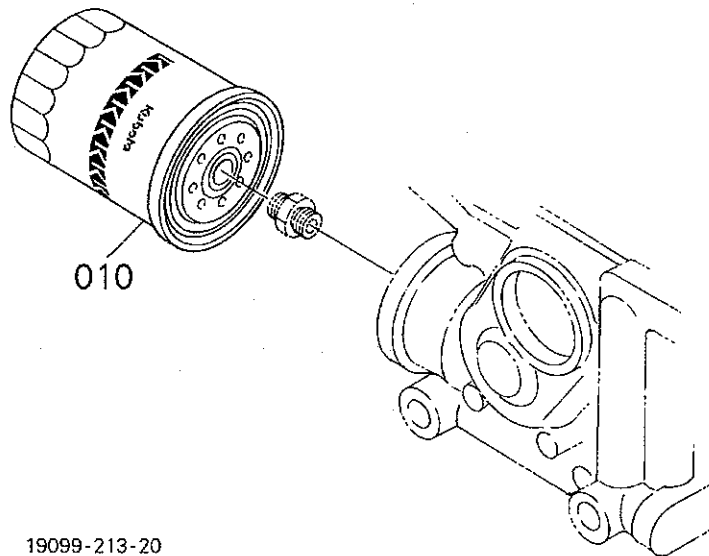
1G445-025-13

A:D902-E4B-PBS-1

REF.No.	PART No.	PART NAME	QTY/S.No.		I.C.	REMARKS
				A		
010	16960-0551-3	TUBE (BREATHER)	1			
020	09318-88125	CLAMP, HOSE	2			
030	16960-1450-5	HEAD COVER, ASSY	1			
040	16241-7337-0	PIPE, WATER RETURN	1			
050	16801-0512-0	COVER, BREATHER	1			
060	16911-0520-3	COMP VALVE, BREATHER	1			
070	03024-50510	SCREW, SEMS (PAN HEAD)	4			
080	---	BLANK	-			
090	---	BLANK	-			
100	16962-1452-2	GASKET, HEAD COVER	1			
110	16911-9102-2	BOLT	4			
120	E9151-3314-0	PLUG, OIL FILLER	1			
130	1J001-9677-0	O RING	1			

↔ Interchangeable; ≠ not Interchangeable; ← new for old; → old for new

000600 OIL FILTER

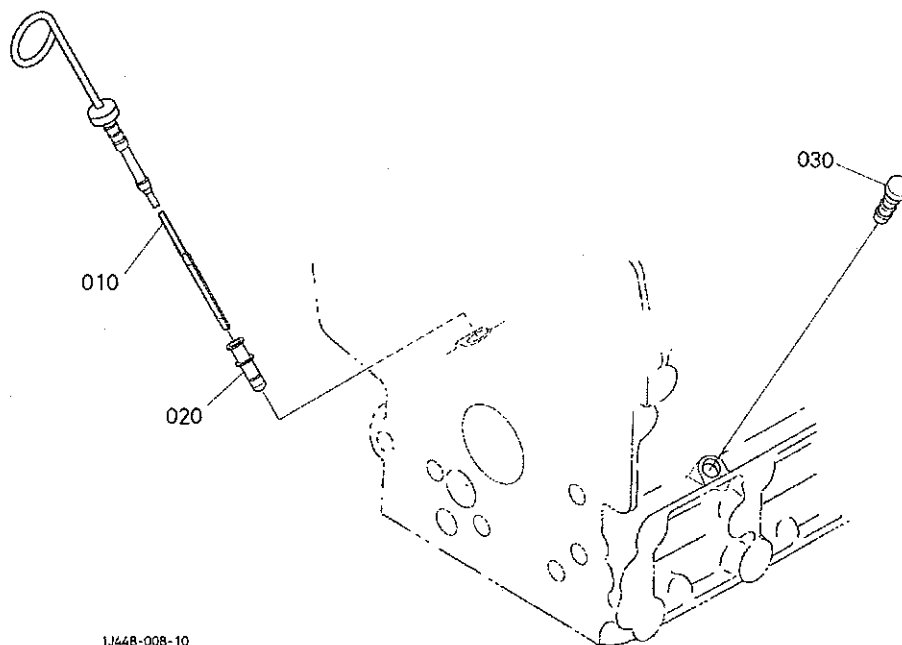


19099-213-20

A:D902-E4B-PBS-1

REF.No.	PART No.	PART NAME	QTY/S.No.	I.C.	REMARKS
			A		
010	HH150-3243-0	CARTRIDGE,OIL FILTER	1		

000700 DIPSTICK AND GUIDE



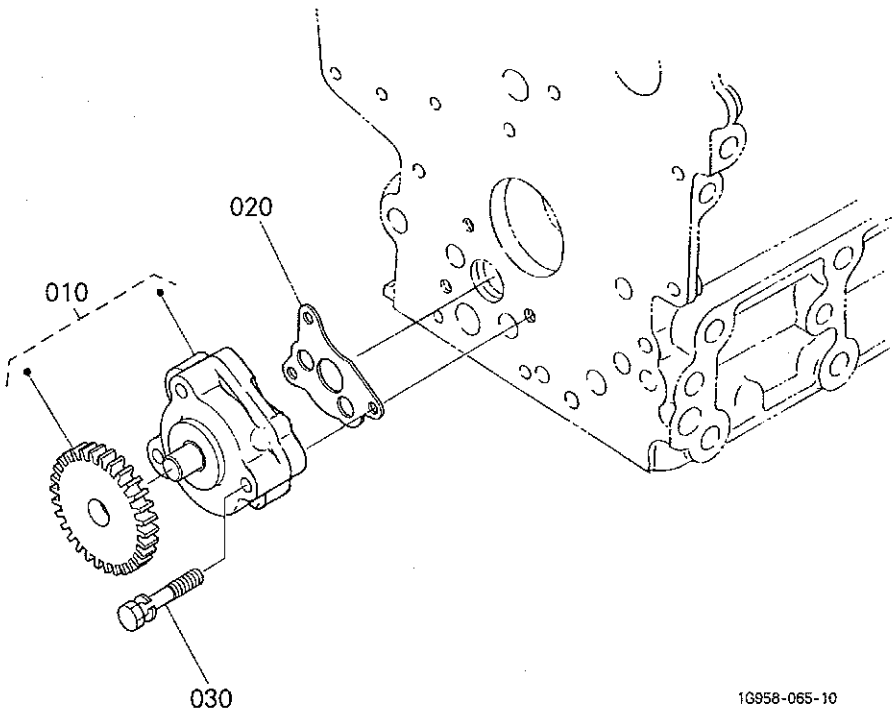
1J448-008-10

A:D902-E4B-PBS-1

REF.No.	PART No.	PART NAME	Q'TY/S.No.	I.C.	REMARKS
			A		
010	16829-3641-0	GAUGE,OIL	1		
020	17456-3642-0	GUIDE,OIL GAUGE	1		
030	16513-3655-0	PLUG,OIL GAUGE	1		

↔ Interchangeable; ≠ not Interchangeable; ← new for old; → old for new

000800 OIL PUMP



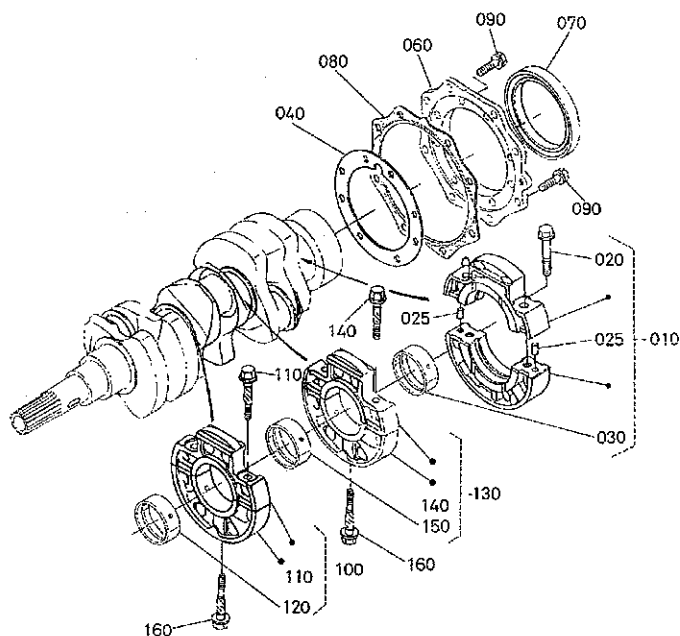
1G958-065-10

A:D902-E4B-PBS-1

REF.No.	PART No.	PART NAME	Q'TY/S.No.	I.C.	REMARKS
			A		
010	1E125-3502-0	ASSY OIL PUMP,FULL	1		
020	1E125-3515-0	GASKET,OIL PUMP	1		
030	15841-9105-0	BOLT	3		

↔ Interchangeable; ≠ not Interchangeable; ← new for old; → old for new

010000 MAIN BEARING CASE



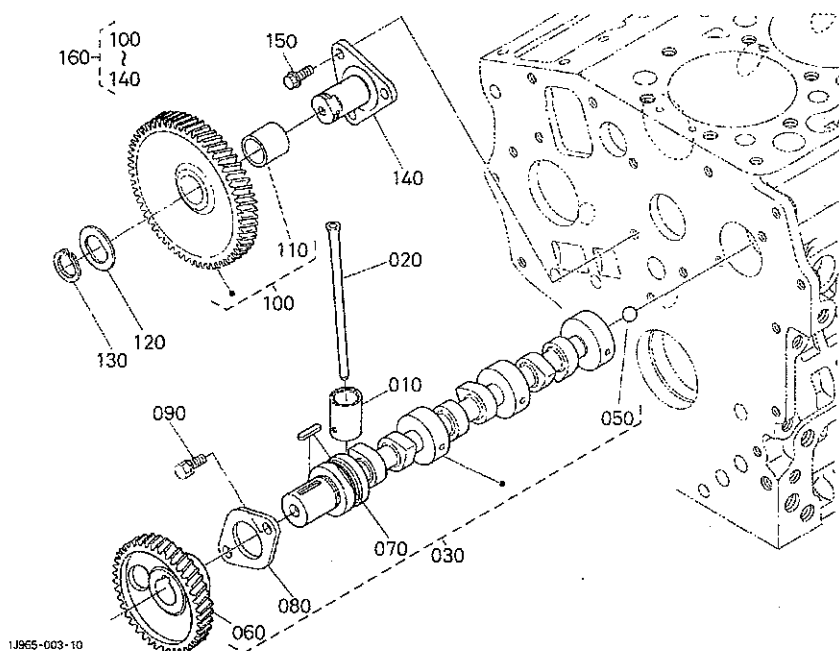
1J965-002-10

A:D902-E4B-PBS-1

REF.No.	PART No.	PART NAME	QTY/S.No.	I.C.	REMARKS
			A		
010	1J002-0709-0	ASSY BRG.CASE,WHEEL	1		
020	01754-50840	BOLT,FLANGE	2		
025	05012-00608	PIN,STRAIGHT	2		
030	1G460-2382-3	METAL,ASSY(2,CRANKSH	1		STD/SET
030	1G460-2393-3	METAL,ASSY,CRANKSHAF	1		-0.20mm/SET
030	1G460-2395-3	METAL,ASSY(2-04,CRAN	3		-0.40mm/SET
040	15852-0436-0	GASKET,BEARING CASE	1		
050	—	BLANK	-		
060	15841-0481-5	COVER,BEARING CASE	1		
070	1G460-0446-0	SEAL,OIL	1		
080	15841-0482-3	GASKET,CASE COVER	1		
090	01023-50622	BOLT,SEMS	16		
100	1G687-0704-0	ASSY BRG.CASE,MAIN	1		
110	1G460-0454-0	BOLT,BEARING CASE	2		
120	1G460-2383-3	METAL,ASSY(3,CRANKSH	1		STD/SET
120	1G460-2394-3	METAL,ASSY(3-02,CRAN	1		-0.20mm/SET
120	1G460-2396-3	METAL,ASSY(3-04,CRAN	1		-0.40mm/SET
130	1G687-0705-0	ASSY BRG.CASE,MAIN	1		
140	1G460-0454-0	BOLT,BEARING CASE	2		
150	1G460-2383-3	METAL,ASSY(3,CRANKSH	1		STD/SET
150	1G460-2394-3	METAL,ASSY(3-02,CRAN	1		-0.20mm/SET
150	1G460-2396-3	METAL,ASSY(3-04,CRAN	1		-0.40mm/SET
160	15841-0456-2	BOLT,BEARING CASE	2		

↔ Interchangeable; ≠ not interchangeable; ← new for old; → old for new

010100 CAMSHAFT AND IDLE GEAR SHAFT



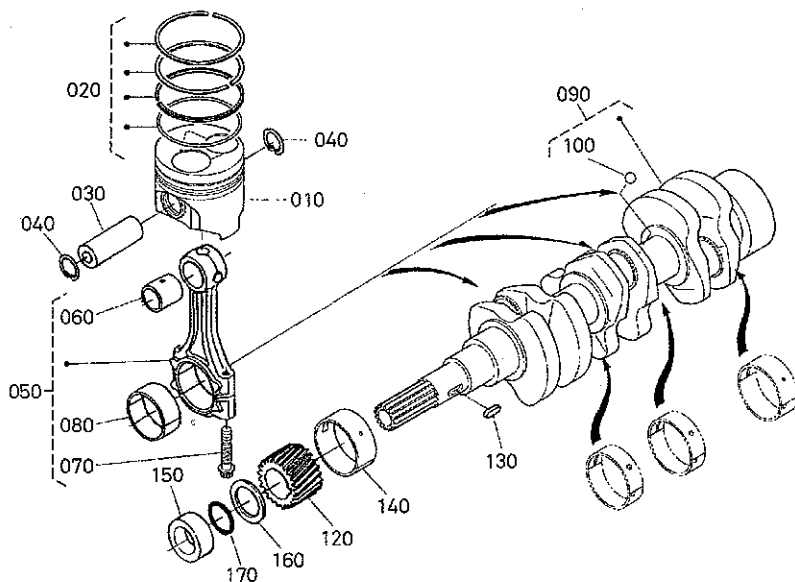
1J965-003-10

A:D902-E4B-PBS-1

REF No	PART No.	PART NAME	QTY/S.No.		I.C.	REMARKS
			A			
010	16851-1555-2	TAPPET	6			
020	16851-1511-0	ROD,PUSH	6			
030	16826-1601-0	ASSY CAMSHAFT	≤4DNZ999		#	
030	16826-1601-3	ASSY CAMSHAFT	≥4DN0001	↔	#	
040		BLANK				
050	07715-00401	BALL 1/4	1			
060	15841-1651-0	GEAR,CAMSHAFT	≤4DNZ999		#	
060	1J094-1651-0	GEAR,CAM	≥4DN0001	↔	#	
070	05712-00518	FEATHER KEY	1			
080	15841-1627-0	STOPPER(CAMSHAFT)	1			
090	01023-50612	BOLT,SEMS	2			
100	15875-2401-5	COMP.GEAR,IDLE	1			
110	15875-2428-4	BUSH	1			
120	15875-2437-0	COLLAR(IDLE GEAR)	1			
130	15875-2432-0	CIRCLIP(SHAFT,GEAR IDLE)	1			
140	15875-2425-0	SHAFT(IDLE GEAR)	1			
150	01754-50612	BOLT,FLANGE	3			
160	15875-9934-2	ASSY GEAR,IDLE SERV	1			OPTION

↔ Interchangeable; ≠ not Interchangeable; ← new for old; → old for new

010200 PISTON AND CRANKSHAFT



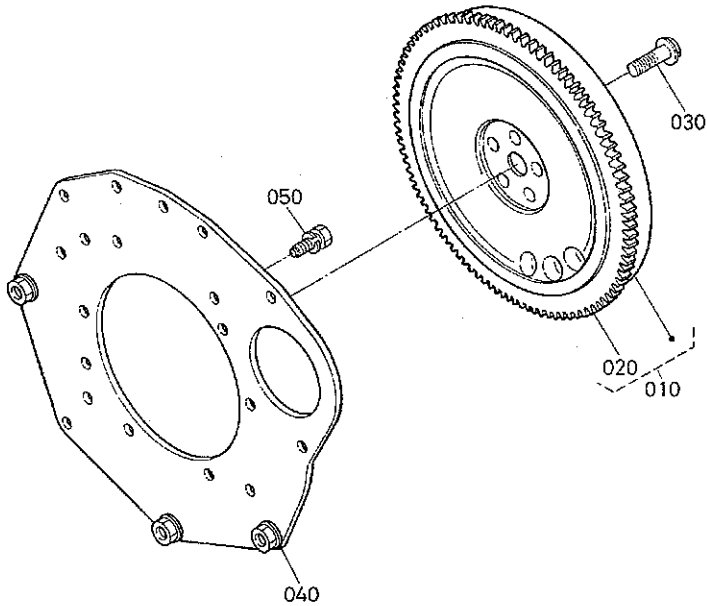
1J965-004-11

A:D902-E4B-PBS-1

REF No	PART No.	PART NAME	Q'TY/S.No.	I.C.	REMARKS
			A		
010	1J091-2111-0	PISTON	3		STD
010	1J091-2190-0	PISTON	3		+0.25mm
020	1J091-2105-0	RING,PISTON,ASSY	3		STD
020	1J091-2109-0	RING,PISTON,ASSY	3		+0.25mm
030	16871-2131-0	PIN,PISTON	3		
040	15261-2133-0	CIRCLIP(INTERNAL)	6		
050	16687-2201-0	ROD,ASSY(CONNECTING)	3		
060	16851-2198-2	BUSH,PISTON PIN	3		
070	16851-2214-0	BOLT(ROD,CONNECTING)	6		
080	15861-2231-4	METAL,CRANKPIN	3		STD/SET
080	15861-2297-3	METAL,CRANKPIN	3		-0.20mm/SET
080	15861-2298-3	METAL,CRANKPIN	3		-0.40mm/SET
090	16962-2301-2	CRANKSHAFT,COMP	1		#
090	16962-2301-5	CRANKSHAFT,COMP	1	↔	#
100	07715-03207	BALL	3		
110	----	BLANK	-		
120	15841-2411-0	GEAR(CRANK)	1		
130	05712-00515	KEY,FEATHER	1		
140	16460-2347-2	METAL,CRANKSHAFT	1		STD
140	16460-2391-2	METAL,CRANKSHAFT	1		-0.20mm
140	16460-2392-2	METAL,CRANKSHAFT	1		-0.40mm
150	15841-2325-0	COLLAR(CRANKSHAFT)	1		
160	15881-2331-0	SLINGER,OIL(CRANKSHAFT)	1		
170	04814-16220	O RING	1		

↔ Interchangeable; ≠ not interchangeable; ← new for old; → old for new

010300 FLYWHEEL



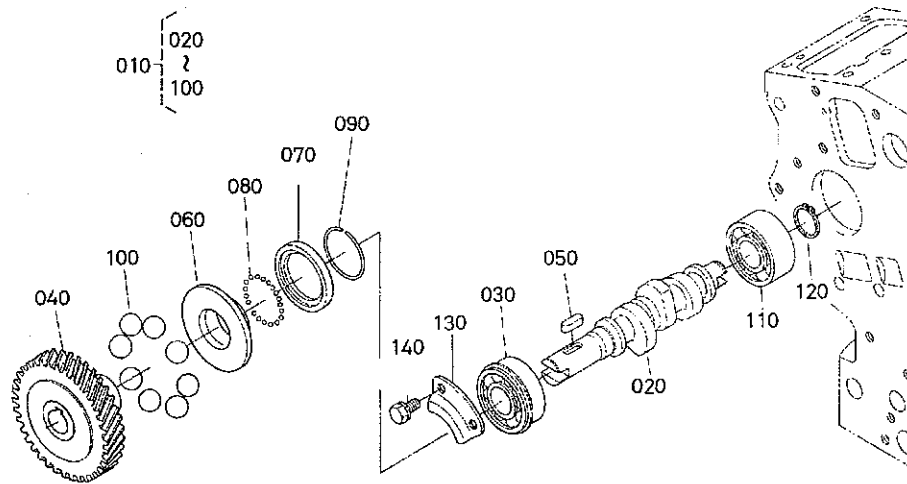
1G445-001-11

A:D902-E4B-PBS-1

REF.No	PART No.	PART NAME	Q'TY/S.No.	I.C.	REMARKS
			A		
010	1G962-2501-5	COMP.FLYWHEEL	1		
020	16871-6382-2	GEAR,RING	1		
030	15852-2516-0	BOLT,FLYWHEEL	5		
040	1G960-0462-0	PLATE,REAR END	1		
050	16871-9102-0	BOLT	10		

↔ Interchangeable; ≠ not Interchangeable; ← new for old; → old for new

010500 FUEL CAMSHAFT AND GOVERNOR SHAFT



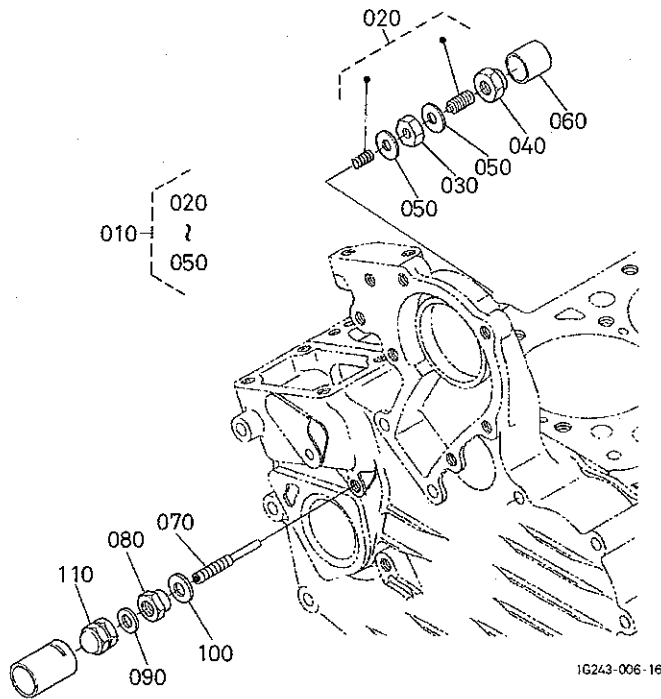
19025-008-11

A:D902-E4B-PBS-1

REF.No.	PART No.	PART NAME	Q'TY/S.No.	I.C.	REMARKS
			A		
010	16861-1602-5	ASSY CAMSHAFT,FUEL	1		
020	15875-1617-3	CAMSHAFT,FUEL	1		
030	08153-06203	BEARING,BALL	1		
040	16851-5115-0	GEAR,INJECTION PUMP	1		
050	05712-00515	KEY,FEATHER	1		
060	15841-5545-2	SLEEVE,GOVERNOR	1		
070	15841-5569-2	CASE,GOVERNOR BALL	1		
080	07715-00801	BALL	32		
090	15261-5547-0	CIR-CLIP,GOV. SLEEVE	1		
100	07715-03217	BALL	8		
110	16871-9730-0	BEARING,BALL	1		
120	04612-00170	CIR-CLIP,EXTERNAL	1		
130	15841-1632-0	STOPPER,FUEL.C/SHAFT	1		
140	01023-50612	BOLT,SEMS	2		

↔ Interchangeable; ≠ not Interchangeable; ← new for old; → old for new

018000 IDLE APPARATUS

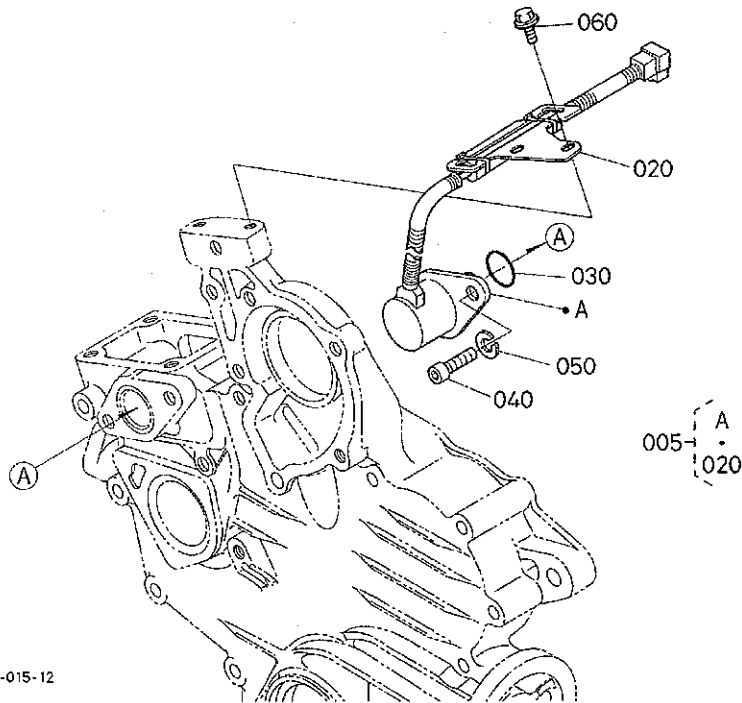


A:D902-E4B-PBS-1

REF.No.	PART No.	PART NAME	Q'TY/S.No.	I.C.	REMARKS
			A		
010	15841-5409-2	ASSY APPARATUS, IDLE	1		
020	15841-5410-0	BOLT, ASSY (ADJUSTMENT)	1		
030	15261-9202-0	NUT	1		
040	15841-5422-0	NUT	1		
050	15021-3366-0	GASKET	2		
060	15841-5427-0	CAP	1		
070	15841-5412-3	BOLT, ADJUSTING	1		
080	16031-5421-0	NUT, LOCK	1		
090	15601-9665-0	GASKET	1		
100	16021-9665-0	GASKET	1		
110	15841-9233-0	NUT	1		

↔ Interchangeable; ≠ not interchangeable; ← new for old; → old for new

020100 STOP SOLENOID



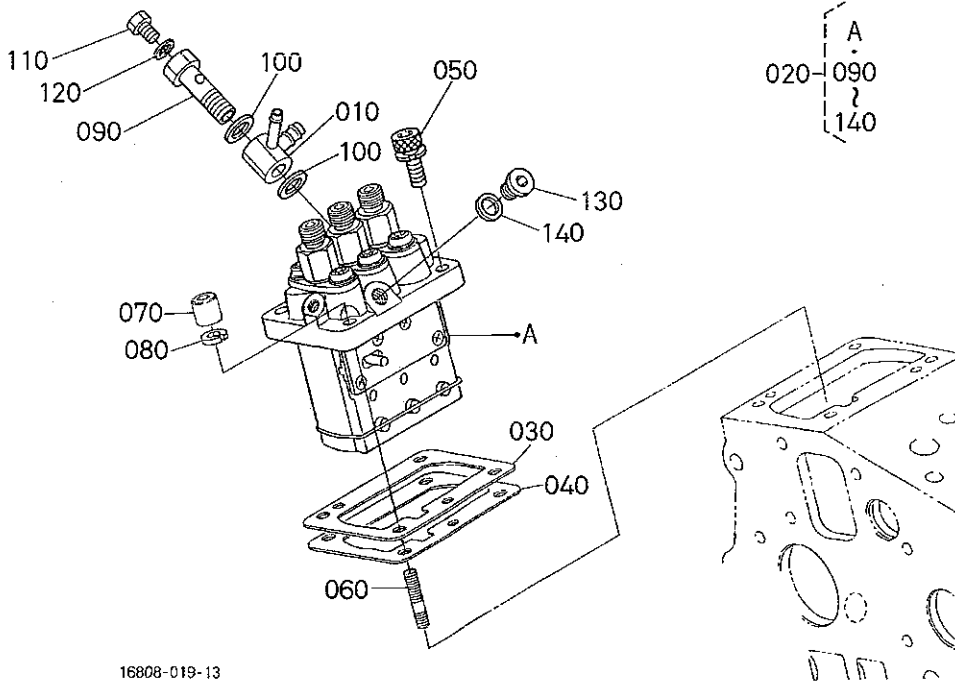
1G958-015-12

A:D902-E4B-PBS-1

REF.No.	PART No.	PART NAME	QTY/S.No.	I.C.	REMARKS
			A		
005	16820-6002-2	ASSY SOLENOID	1		
010	—	BLANK	-		
020	16820-6017-0	STAY, COIL COMMANDER	1		
030	04814-06310	O RING	1		
040	01311-10616	BOLT, SOCKET HEAD	2		
050	04512-50060	WASHER, SPRING LOCK	2		
060	01754-50612	BOLT, FLANGE	2		

↔ Interchangeable; ≠ not Interchangeable; ← new for old; → old for new

020200 INJECTION PUMP



16808-019-13

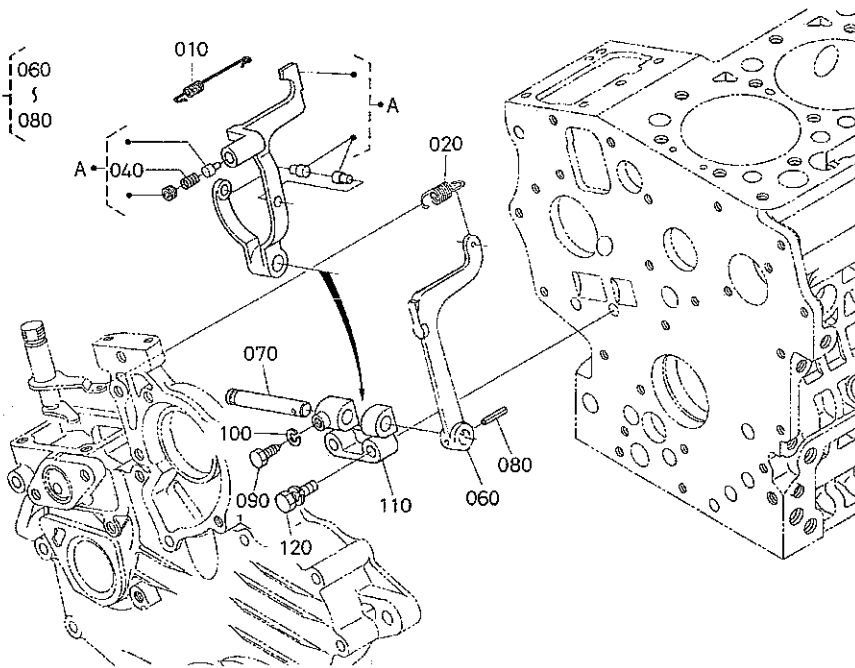
A:D902-E4B-PBS-1

REF.No.	PART No.	PART NAME	Q'TY/S.No.	I.C.	REMARKS
			A		
010	16809-9568-0	JOINT	1		
020	16820-5101-3	ASSY PUMP,INJECTION	1		
030	16700-5220-0	SHIM,INJECTION PUMP	1		0.175mm
030	16006-5209-2	SHIM,INJECTION	1		0.200mm
030	16006-5211-2	SHIM,INJECTION PUMP	1		0.250mm
040	16006-5212-2	SHIM,INJECTION PUMP	1		0.300mm
040	16700-5216-0	SHIM,INJECTION PUMP	1		0.350mm
050	16871-9106-0	BOLT,HEX-SOC-HD	2		
060	15841-9150-0	STUD	2		
070	15841-9232-0	NUT	2		
080	04512-50060	WASHER,SPRING LOCK	2		
090	15841-5132-0	SCREW,HOLLOW	1		
100	15841-9665-0	GASKET	2		
110	15841-5135-0	SCREW	1		
120	15841-9666-0	GASKET	1		
130	16030-9601-0	PLUG	1		
140	15861-9665-0	GASKET	1		

↔ Interchangeable; ≠ not Interchangeable; ← new for old; → old for new

020400 GOVERNOR

A
 { 060
 050 }
 { 080
 090 }
 { 110 }



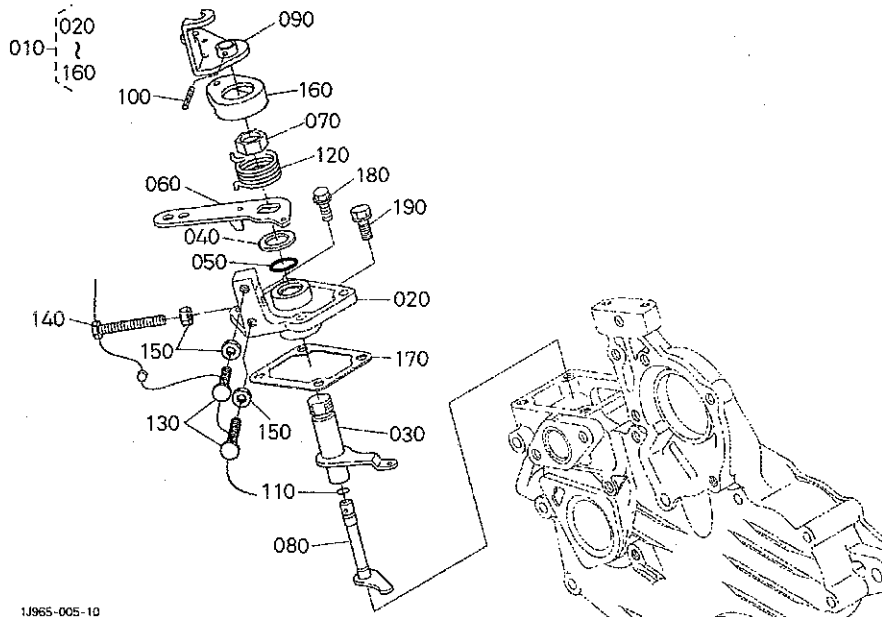
1G445-015-13

A:D902-E4B-PBS-1

REF.No.	PART No.	PART NAME	Q'TY/S.No.	I.C.	REMARKS
			A		
010	1G820-5648-2	SPRING,START	1		
020	15867-5641-0	SPRING,GOVERNOR	1		
030	1E323-5605-0	ASSY LEVER,FORK	1		
040	15531-5423-0	SPRING	1		
050	15841-5606-0	ASSY LEVER,FORK	1		
060	15841-5613-0	LEVER,FORK	1		
070	15841-5615-0	SHAFT,FORK LEVER	1		
080	05411-00318	PIN,SPRING	1		
090	15261-6641-0	BOLT	1		
100	04512-50050	WASHER,SPRING LOCK	1		
110	15841-5623-3	HOLDER,FORK LEVER	1		
120	01023-50635	BOLT,SEMS	2		

↔ Interchangeable; ≠ not Interchangeable; ← new for old; → old for new

020500 SPEED CONTROL PLATE

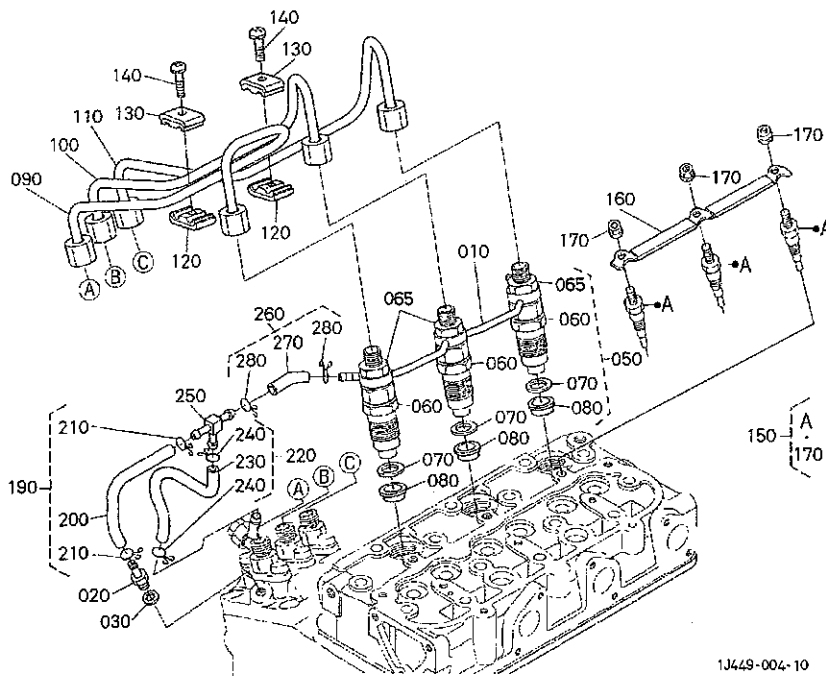


A:D902-E4B-PBS-1

REF.No	PART No.	PART NAME	Q'TY/S.No.	I.C.	REMARKS
			A		
010	16820-5700-4	COMP.PLATE,SPEED CO.	1		
020	15841-5711-2	PLATE,SPEED CONTROL	1		
030	16820-5611-2	LEVER,GOVERNOR	1		
040	19280-5724-0	COLLAR	1		
050	04814-10160	O-RING	1		
060	16639-5715-0	LEVER,SPEED CONTROL	1		
070	16866-9201-0	NUT,SPEED CONTROL	1		
080	16820-5774-3	SHAFT,LEVER	1		
090	16851-5772-4	LEVER,ENGINE STOP	1		
100	05411-00314	PIN,SPRING	1		
110	04814-10070	O-RING	1		
120	16878-5792-0	SPRING,RETURN	1		
130	15108-5728-0	STOPPER	2		
140	19202-9101-0	BOLT	1		
150	02056-50060	HEX.NUT	3		
160	16866-5730-2	CAP	1		
170	15841-5721-2	GASKET,CONTROL PLATE	1		
180	01754-50616	BOLT,FLANGE	2		
190	16871-9105-0	BOLT	2		

↔ Interchangeable; ≠ not interchangeable; ← new for old; → old for new

020600 NOZZLE HOLDER AND GLOW PLUG

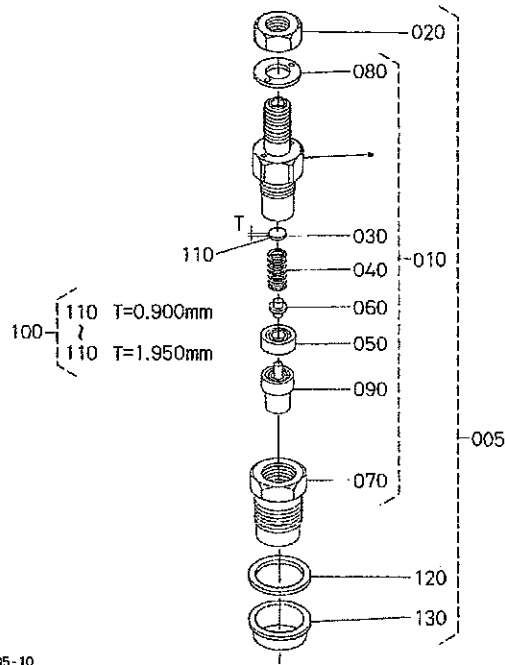


A:D902-E48-PBS-1

REF.No.	PART No.	PART NAME	Q'TY/S.No.	I.C.	REMARKS
			A		
010	1G962-4250-0	ASSY PIPE,OVER FLOW	1		
020	15841-5136-0	SCREW,AIR BLEEDER	1		
030	15601-9665-0	GASKET	1		
040	—	BLANK	-		
050	16871-5390-4	HOLDER,NOZZLE,KIT	3		
060	16871-5300-2	HOLDER,NOZZLE,ASSY	3		
065	16826-9203-2	NUT	3		
070	15841-5362-2	GASKET	3		
080	19077-5365-0	SEAL,HEAT	3		
090	1J091-5371-0	PIPE(INJECTION)	1		
100	1J091-5372-0	PIPE(INJECTION)	1		
110	1J094-5373-0	PIPE(INJECTION)	1		
120	15841-5385-0	CLAMP,PIPE	2		
130	15841-5386-0	CLAMP,PIPE	2		
140	03024-50520	SCREW,SEMS(PAN HEAD)	2		
150	1G679-6551-2	PLUG,GLOW	3		
160	1G962-6556-0	CORD,GLOW PLUG	1		
170	02761-50040	NUT,FLANGE	3		
180	—	BLANK	-		
190	16809-4203-0	ASSY TUBE,FUEL	1		
200	09661-40085	TUBE,FUEL	1		
210	14971-4275-0	CLIP,PIPE	2		
220	16809-4250-0	ASSY TUBE,FUEL	1		
230	09661-40130	TUBE,FUEL	1		
240	14971-4275-0	CLIP,PIPE	2		
250	1G065-4236-0	JOINT,T-PIPE	1		
260	16809-4202-0	ASSY TUBE,FUEL	1		
270	09661-40040	TUBE,FUEL	1		
280	14971-4275-0	CLIP,PIPE	2		

↔ Interchangeable; ≠ not interchangeable; ← new for old; → old for new

020700 NOZZLE HOLDER [COMPONENT PARTS]



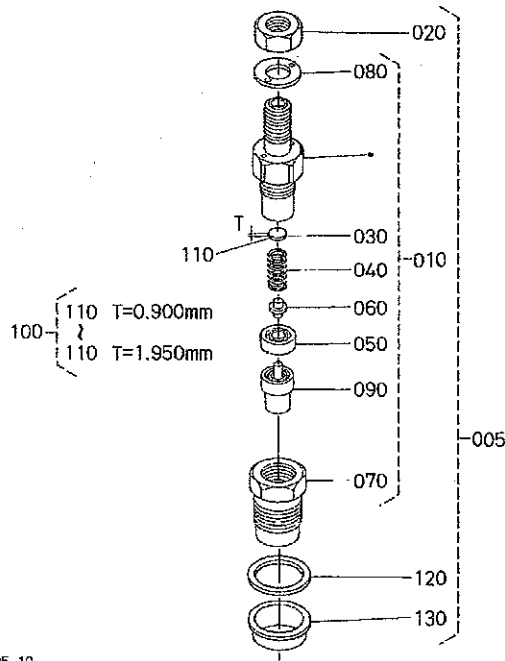
1J449-005-10

A:D902-E4B-PBS-1

REF.No.	PART No.	PART NAME	Q'TY/S.No.	I.C.	REMARKS
			A		
005	16871-5390-4	HOLDER,NOZZLE,KIT	3		
010	16871-5300-2	HOLDER,NOZZLE,ASSY	3		
020	16826-9203-2	NUT	3		
030	16032-5323-0	WASHER,ADJUSTING	3		
040	16032-5317-0	SPRING,NOZZLE	3		
050	16032-5335-0	SPACER,DISTANCE	3		
060	16032-5316-0	PUSH ROD	3		
070	16871-5328-0	NUT,NOZZLE	3		
080	16032-9404-0	WASHER,PLAIN	3		
090	16962-5361-0	PIECE,NOZZLE	3		
100	15841-9810-0	ASSY WASHER, ADJUSTING	3		OPTION
110	15841-5323-0	WASHER, ADJUSTING	3		0.900mm
110	15841-9851-0	WASHER, ADJUSTING	3		0.925mm
110	15841-9852-0	WASHER, ADJUSTING	3		0.950mm
110	15841-9853-0	WASHER, ADJUSTING	3		0.975mm
110	15841-9854-0	WASHER, ADJUSTING	3		1.000mm
110	15841-9855-0	WASHER, ADJUSTING	3		1.025mm
110	15841-9856-0	WASHER, ADJUSTING	3		1.050mm
110	15841-9857-0	WASHER, ADJUSTING	3		1.075mm
110	15841-9858-0	WASHER, ADJUSTING	3		1.100mm
110	15841-9859-0	WASHER, ADJUSTING	3		1.125mm
110	15841-9860-0	WASHER, ADJUSTING	3		1.150mm
110	15841-9861-0	WASHER, ADJUSTING	3		1.175mm
110	15841-9862-0	WASHER, ADJUSTING	3		1.200mm
110	15841-9863-0	WASHER, ADJUSTING	3		1.225mm
110	15841-9864-0	WASHER, ADJUSTING	3		1.250mm
110	15841-9865-0	WASHER, ADJUSTING	3		1.275mm
110	15841-9866-0	WASHER, ADJUSTING	3		1.300mm
110	15841-9867-0	WASHER, ADJUSTING	3		1.325mm
110	15841-9868-0	WASHER, ADJUSTING	3		1.350mm

↔ Interchangeable; ≠ not Interchangeable; ← new for old; → old for new

020700 NOZZLE HOLDER [COMPONENT PARTS]



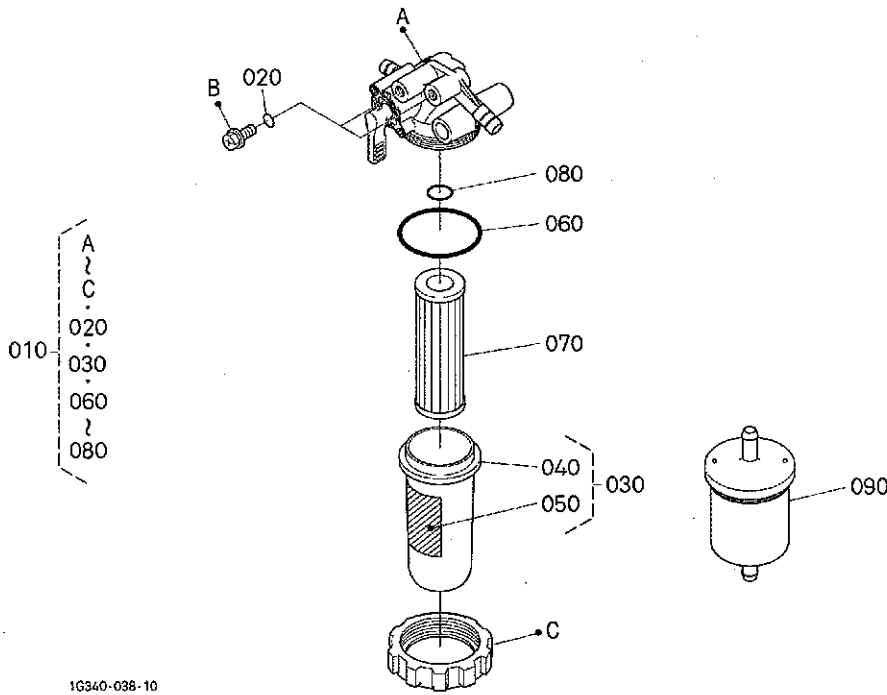
1J449-005-10

A:D902-E4B-PBS-1

REF.No.	PART No.	PART NAME	Q'TY/S.No.	I.C.	REMARKS
			A		
110	15841-9869-0	WASHER, ADJUSTING	3		1.375mm
110	15841-9870-0	WASHER, ADJUSTING	3		1.400mm
110	15841-9871-0	WASHER, ADJUSTING	3		1.425mm
110	15841-9872-0	WASHER, ADJUSTING	3		1.450mm
110	15841-9873-0	WASHER, ADJUSTING	3		1.475mm
110	15841-9874-0	WASHER, ADJUSTING	3		1.500mm
110	15841-9875-0	WASHER, ADJUSTING	3		1.525mm
110	15841-9876-0	WASHER, ADJUSTING	3		1.550mm
110	15841-9877-0	WASHER, ADJUSTING	3		1.575mm
110	15841-9878-0	WASHER, ADJUSTING	3		1.600mm
110	15841-9879-0	WASHER, ADJUSTING	3		1.625mm
110	15841-9880-0	WASHER, ADJUSTING	3		1.650mm
110	15841-9881-0	WASHER, ADJUSTING	3		1.675mm
110	15841-9882-0	WASHER, ADJUSTING	3		1.700mm
110	15841-9883-0	WASHER, ADJUSTING	3		1.725mm
110	15841-9884-0	WASHER, ADJUSTING	3		1.750mm
110	15841-9885-0	WASHER, ADJUSTING	3		1.775mm
110	15841-9886-0	WASHER, ADJUSTING	3		1.800mm
110	15841-9887-0	WASHER, ADJUSTING	3		1.825mm
110	15841-9888-0	WASHER, ADJUSTING	3		1.850mm
110	15841-9889-0	WASHER, ADJUSTING	3		1.875mm
110	15841-9890-0	WASHER, ADJUSTING	3		1.900mm
110	15841-9891-0	WASHER, ADJUSTING	3		1.925mm
110	15841-9892-0	WASHER, ADJUSTING	3		1.950mm
120	15841-5362-2	GASKET	3		
130	19077-5365-0	SEAL,HEAT	3		

↔ Interchangeable; ≠ not Interchangeable; ← new for old; → old for new

030000 FUEL FILTER

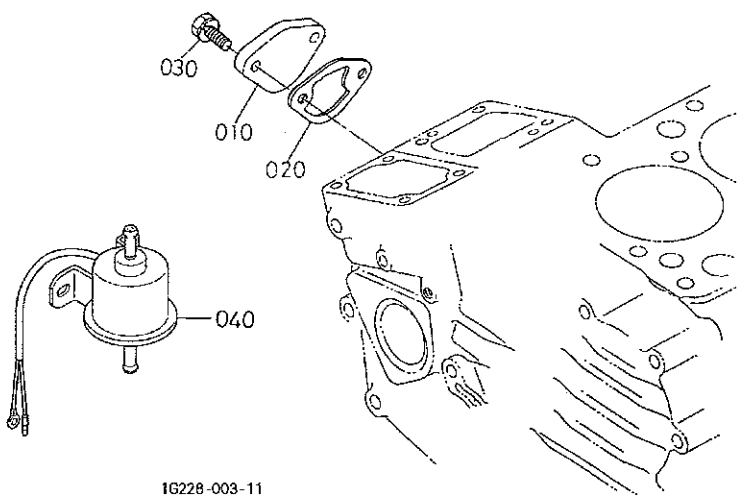


A:D902-E4B-PBS-1

REF.No.	PART No.	PART NAME	QTY/S.No.	I.C.	REMARKS
			A		
010	1G313-4301-0	FILTER,ASSY(FUEL)	1		
020	04817-00060	O RING	2		
030	1G313-4310-0	ASSY CUP, FILTER	1		
040	1G313-4358-0	CUP, FILTER	1		
050	1G313-8843-0	LABEL, FUEL FILTER	1		
060	1G313-4365-0	O RING	1		
070	1G313-4356-0	ASSY ELEMENT	1		
080	1G313-4357-0	O-RING	1		
090	12581-4301-2	ASSY FILTER,FUEL	1		

↔ Interchangeable; ≠ not Interchangeable; ← new for old; → old for new

030100 FUEL PUMP (MECHANICAL)

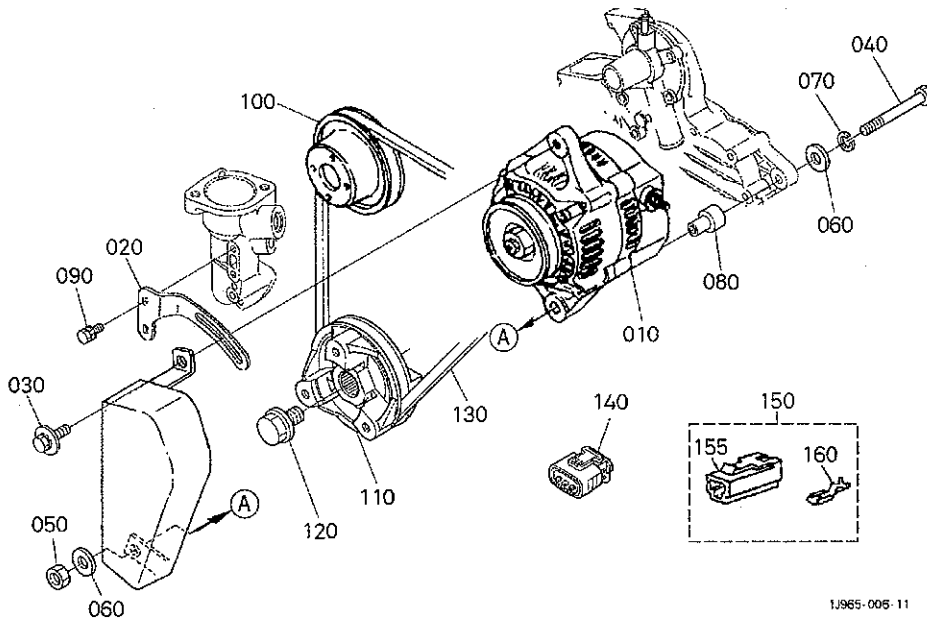


1G228-003-11

A:D902-E4B-PBS-1

REF.No.	PART No.	PART NAME	QTY/S.No.	I.C.	REMARKS
			A		
010	15852-5285-0	COVER	1		
020	16264-5214-0	GASKET,FUEL PUMP	1		
030	01023-50616	BOLT,SEMS	2		
040	1G662-5203-0	ASSY PUMP,FUEL	1		

040200 ALTERNATOR AND PULLEY

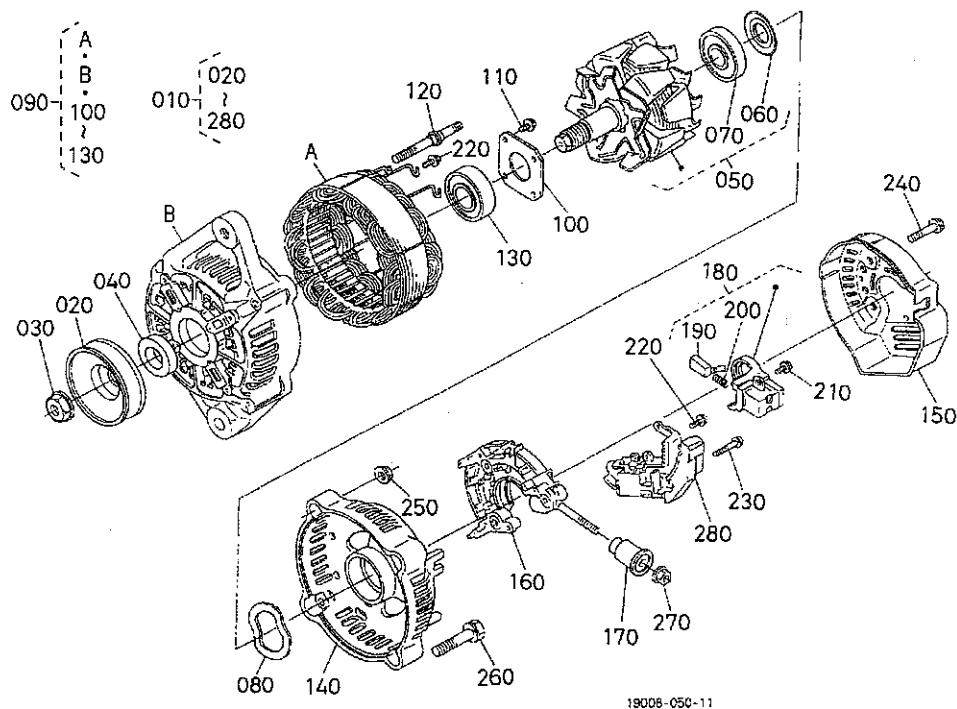


A:D902-E4B-PBS-1

REF No	PART No.	PART NAME	Q'TY/S.No.	I.C.	REMARKS
			A		
010	16678-6401-2	ASSY ALTERNATOR	1		
020	17548-6442-0	STAY(ALTERNATOR)	1		
030	16871-9103-0	BOLT	1	#	
040	01153-50875	HEX.BOLT	1		
050	02156-50080	HEX.NUT	1		
060	04013-50080	WASHER,PLAIN	2		
070	04512-50080	WASHER,SPRING LOCK	1		
080	19837-6437-4	COLLAR	1		
090	01023-50616	BOLT,SEMS	2		
100	15841-7425-0	PULLEY,FAN	1		
110	16952-7428-0	PULLEY,FAN DRIVE	1		
120	15881-9103-0	BOLT	1		
130	15881-9701-0	V-BELT	1	34.5IN	
140	16678-6583-0	ASSY CONNECTOR	1		
150	19215-6375-0	TERMINAL	1		
155	11521-6592-0	CONNECTOR	1		
160	11521-6597-0	TERMINAL	1		

↔ Interchangeable; ≠ not interchangeable; ← new for old; → old for new

040300 ALTERNATOR [COMPONENT PARTS]



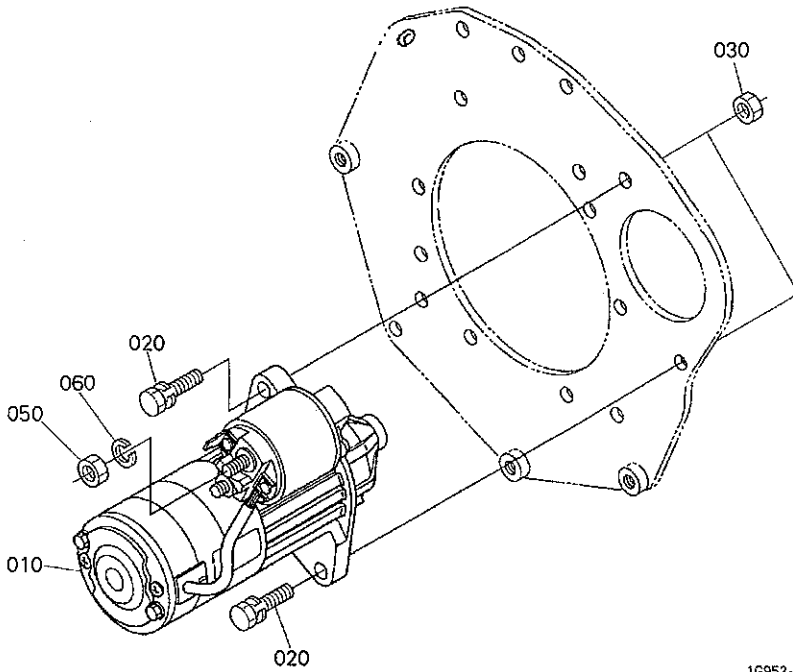
19008-050-11

A:D902-E4B-PBS-1

REF.No.	PART No.	PART NAME	QTY/S.No.	I.C.	REMARKS
			A		
010	16678-6401-2	ASSY ALTERNATOR	1		
020	15881-6411-0	PULLEY,DYNAMO	1		
030	15881-9201-0	NUT	1		
040	15881-6415-0	COLLAR	1		
050	66436-6404-0	ROTOR	1		
060	15881-6480-0	COVER,BEARING	1		
070	16652-6477-0	BEARING,BALL	1		
080	15881-6481-0	WASHER,THRUST	1		
090	66436-6402-0	ASSY FRAME,DRIVE END	1		
100	15881-6471-0	PLATE,RETAINER	1		
110	15881-9301-0	SCREW,ROUND HEAD	4		
120	15881-6426-0	BOLT,THROUGH	2		
130	16652-6478-0	BEARING,BALL	1		
140	16678-6406-0	FRAME,END	1		
150	16678-6423-0	COVER,END	1		
160	15881-6485-0	ASSY RECTIFIER	1		
170	15881-6490-0	BUSH,INSULATION	1		
180	16652-6431-0	HOLDER,BRUSH	1		
190	15881-6409-0	BRUSH	2		
200	15881-6433-0	SPRING,BRUSH	2		
210	15881-9302-0	SCREW,ROUND HEAD	2		
220	15881-9303-0	SCREW,ROUND HEAD	6		
230	15881-9304-0	SCREW,ROUND HEAD	1		
240	15881-9104-0	BOLT	3		
250	15881-9202-0	NUT	2		
260	15881-9105-0	BOLT	2		
270	14182-9203-0	NUT	1		
280	16652-6460-0	ASSY REGULATOR	1		

↔ Interchangeable; ≠ not Interchangeable; ← new for old; → old for new

040400 STARTER



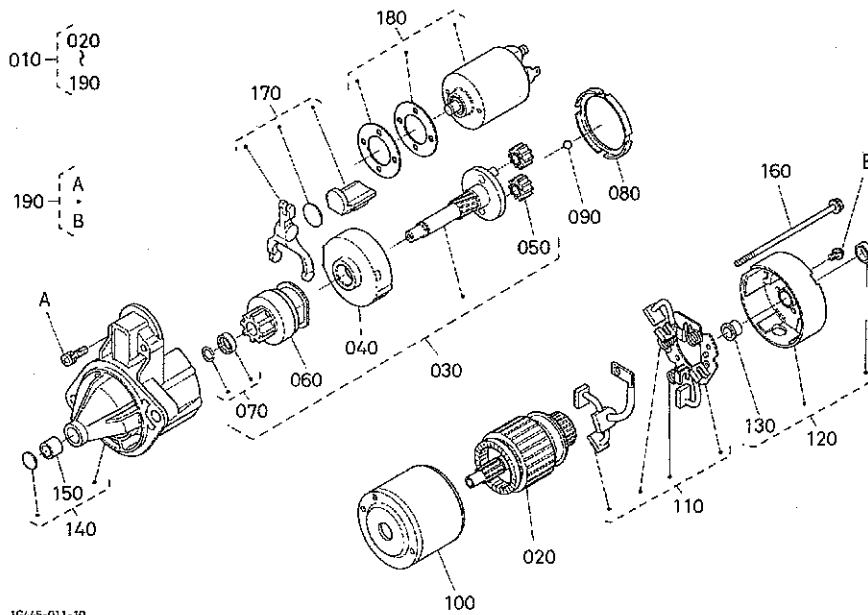
16952-011-11

A:D902-E4B-PBS-1

REF No	PART No.	PART NAME	QTY/S.No.	I.C.	REMARKS
			A		
010	16824-6301-3	STARTER,ASSY	1		
010	16824-6301-4	STARTER,ASSY	<=>#172999		
020	01123-50830	BOLT, SEMS	>=4000001 2	<=>#	
030	02156-50080	HEX. NUT	2		
040		BLANK	-		
050	02156-50080	HEX. NUT	1		
060	04512-50080	WASHER, SPRING LOCK	1		

<=> Interchangeable; ≠ not interchangeable; ← new for old; → old for new

040500 STARTER [COMPONENT PARTS]



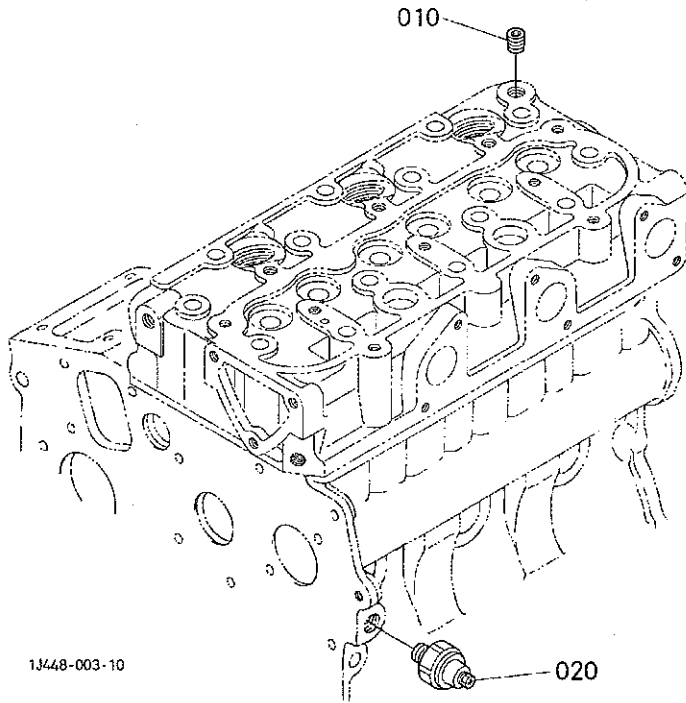
1G445-011-10

A:D902-E4B-PBS-1

REF No	PART No.	PART NAME	Q'TY/S.No.	I.C.	REMARKS
			A		
010	16824-6301-3	STARTER,ASSY	1		#
010	16824-6301-4	STARTER,ASSY	≤4DY2999	↔	#
020	16824-6307-0	ARMATURE	≥4DN0001		
030	16853-6333-0	SHAFT,ASSY	1		
040	6C140-8281-0	GEAR,INTERNAL,ASSY	1		
050	6C040-8265-0	GEAR,PLANETARY	3		
060	16853-6304-0	CLUTCH(OVER RUNNING)	1		
070	6C040-8267-0	STOPPER	1		
080	6C140-8282-0	GASKET	1		
090	6C040-8269-0	BALL	1		
100	16824-6308-2	YOKE	1		#
100	16824-6308-3	YOKE	≤4DY2999	↔	#
110	16853-6338-0	HOLDER,ASSY(BRUSH)	≥4DN0001		#
110	16824-6338-0	HOLDER,ASSY(BRUSH)	≤4DY2999	↔	#
120	6C140-8275-0	BRACKET,ASSY(REAR)	≥4DN0001		#
130	6C040-8276-0	BUSHING	1		
140	16853-6303-0	BRACKET,ASSY(FRONT)	1		
150	15852-6324-0	BUSHING	1		
160	6C040-8278-0	BOLT	2		
170	6C040-8279-0	LEVER,COMP	1		
180	15852-6302-3	SWITCH,MAGNETIC	1		
190	15852-9331-0	SCREW,PAN HD	1		#SET

↔ Interchangeable; ≠ not Interchangeable; ← new for old; → old for new

040600 OIL SWITCH AND PLUG

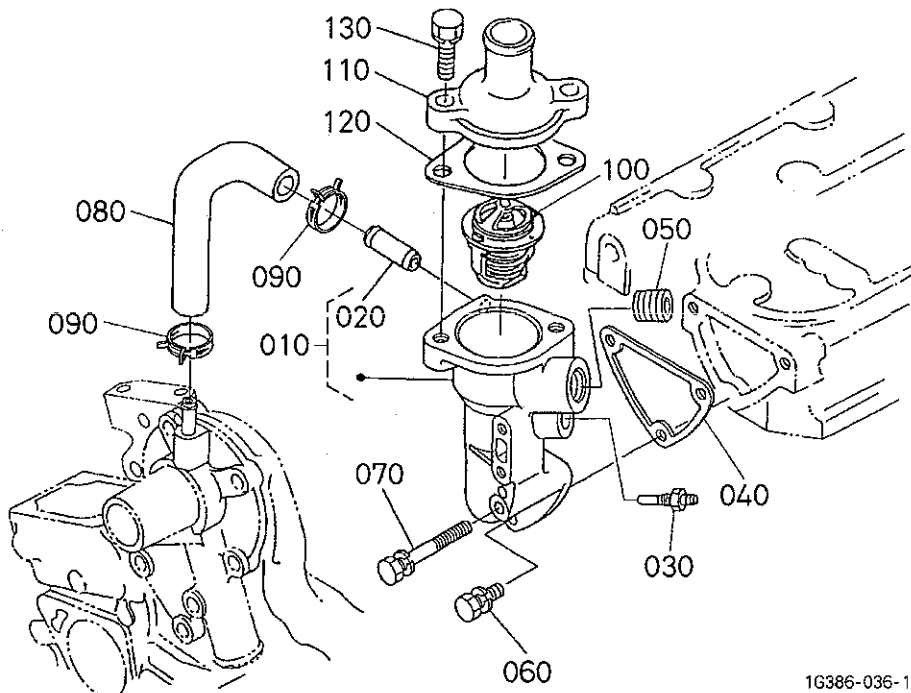


A:D902-E4B-PBS-1

REF.No.	PART No.	PART NAME	QTY/S.No.	I.C.	REMARKS
			A		
010	15841-9602-0	PLUG	1		
020	15841-3901-0	SWITCH,OIL	1		

↔ Interchangeable; ≠ not Interchangeable; ← new for old; → old for new

050000 WATER FLANGE AND THERMOSTAT



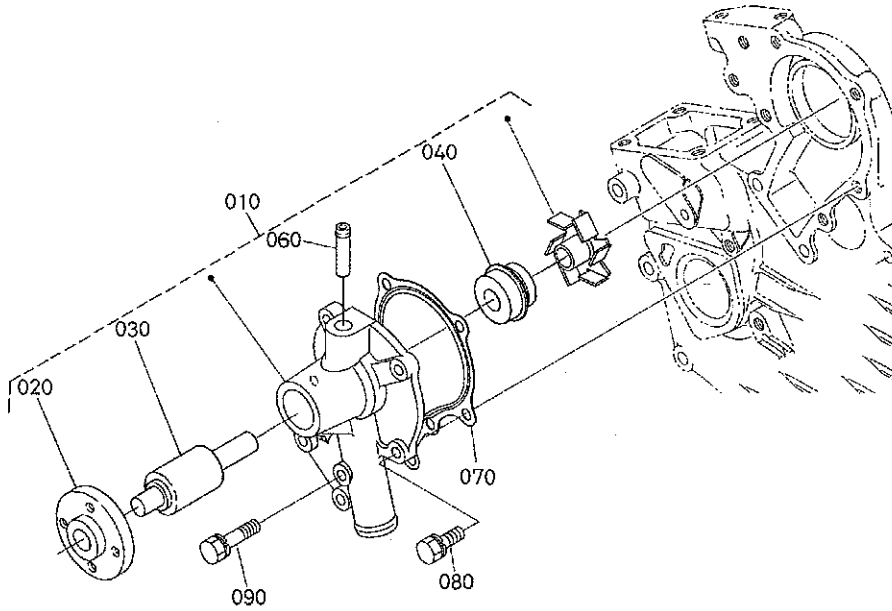
1G386-036-14

A:D902-E4B-PBS-1

REF.No.	PART No.	PART NAME	Q'TY/S.No.	I.C.	REMARKS
			A		
010	1E051-7270-2	COMP FLANGE,WATER	1		
020	16241-7337-0	PIPE,WATER RETURN	1		
030	19498-8304-0	SWITCH,ASSY(THERMO)	1		
040	15841-7292-3	GASKET,WATER FLANGE	1		
050	1A021-9602-0	PLUG	1		
060	01023-50616	BOLT,SEMS	2		
070	01023-50650	BOLT,SEMS	1		
080	16851-7335-0	PIPE,WATER RETURN	1		
090	16687-7336-2	CLAMP,HOSE	2		
100	19434-7301-4	ASSY THERMOSTAT	1		
110	1E051-7326-0	COVER,THERMOSTAT	1		
120	16221-7327-0	GASKET,THERMOSTAT	1		
130	01123-50825	BOLT,SEMS	2		

↔ Interchangeable; ≠ not Interchangeable; ← new for old; → old for new

050100 WATER PUMP



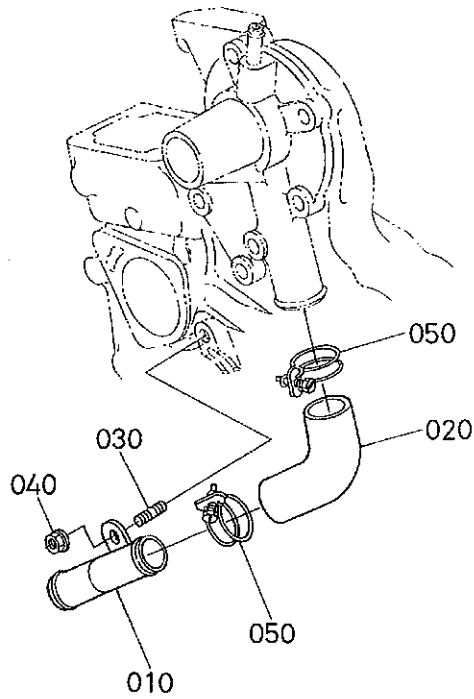
16460-022-14

A:D902-E4B-PBS-1

REF.No.	PART No.	PART NAME	QTY/S.No.	I.C.	REMARKS
			A		
010	1E051-7303-4	ASSY PUMP,WATER	1		
020	15852-7352-3	FLANGE,WATER PUMP	1		
030	15852-7355-0	BEARING	1		
040	15481-7305-0	SEAL,MECH,ASSY	1		
050	-----	BLANK	-		
060	15852-7334-0	PIPE,WATER RETURN	1		
070	16871-7343-0	GASKET,WATER PUMP	1		
080	01023-50622	BOLT,SEMS	4		
090	01023-50638	BOLT,SEMS	1		

↔ Interchangeable; ≠ not interchangeable; ← new for old; → old for new

050300 WATER PIPE

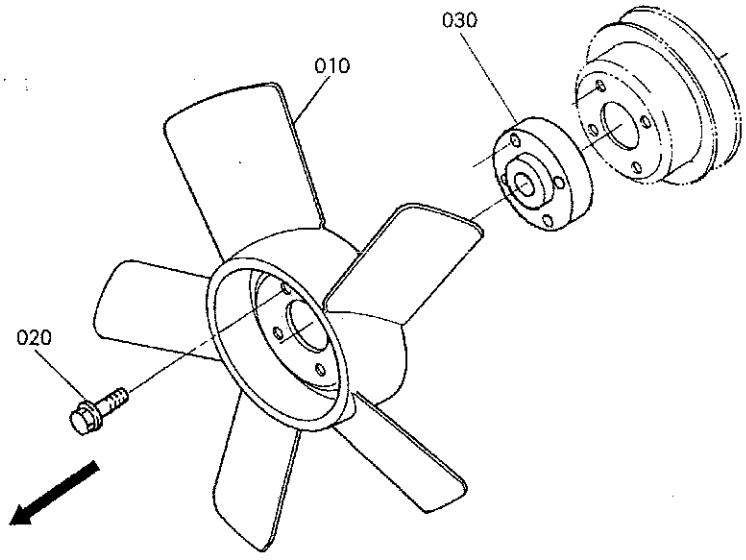


A:D902-E4B-PBS-1

REF.No.	PART No.	PART NAME	Q'TY/S.No.	I.C.	REMARKS
			A		
010	16805-7286-0	PIPE, WATER	1		
020	16805-7287-0	HOSE, WATER	1		
030	15841-9151-0	STUD	1		
040	02751-50060	NUT, FLANGE	1		
050	15841-7296-0	BAND, PIPE	2		

↔ Interchangeable; ≠ not Interchangeable; ← new for old; → old for new

050400 FAN



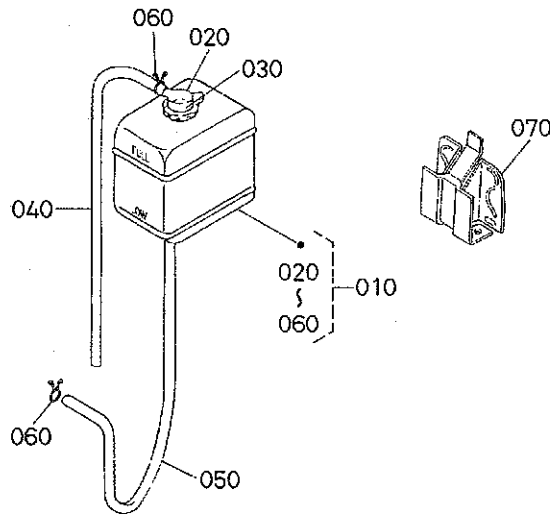
1G447-041-10

A:D902-E4B-PBS-1

REF.No.	PART No.	PART NAME	QTY/S.No.		I.C.	REMARKS
			A			
010	12599-7411-0	COOLING FAN	1			
020	15876-7415-2	COLLAR,FAN	1			
030	01754-50620	BOLT,FLANGE	4			

↔ Interchangeable; ≠ not Interchangeable; ← new for old; → old for new

050500 RESERVE TANK



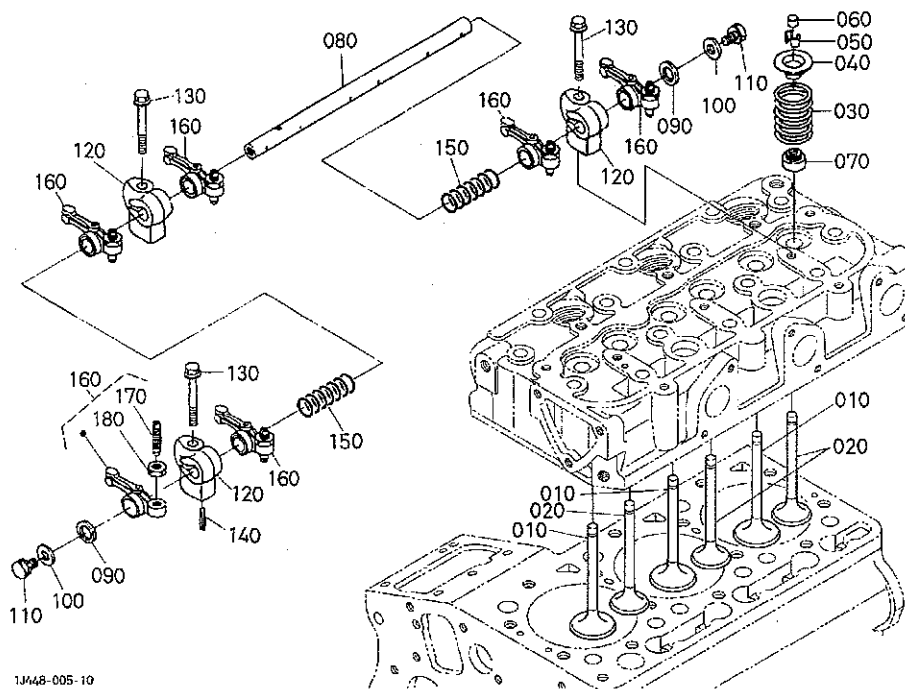
1J965-007-10

A:D902-E4B-PBS-1

REF.No.	PART No.	PART NAME	Q'TY/S.No.	I.C.	REMARKS
			A		
010	15501-7240-0	TANK,ASSY(RESERVE)	1		
020	15272-7242-0	CAP	1		
030	15531-7243-2	PACKING	1		
040	15501-7271-0	PIPE,WATER OVER FLOW	1		
050	68111-4239-0	PIPE,WATER OVER FLOW	1		
060	15501-7247-0	CLIP,PIPE	2		
070	15527-7246-0	STAY,RESERVE TANK	1		

↔ Interchangeable; ≠ not Interchangeable; ← new for old; → old for new

060000 VALVE AND ROCKER ARM



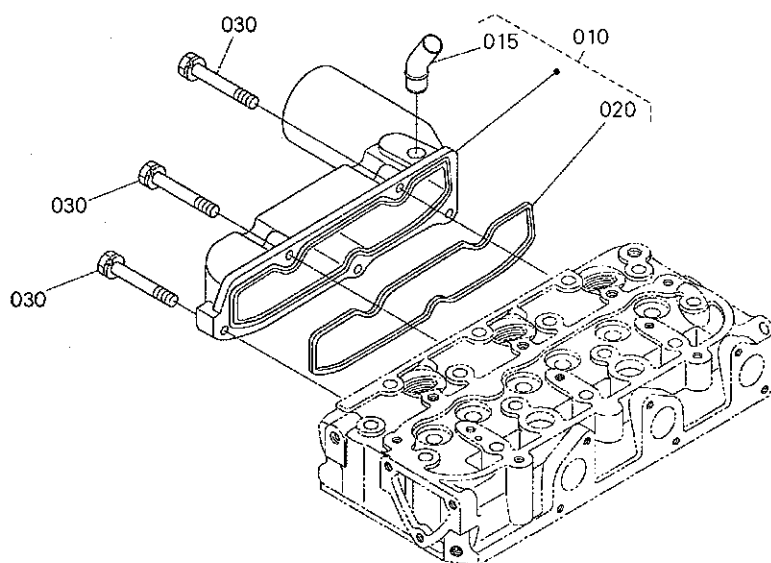
1J48-005-10

A:D902-E4B-PBS-1

REF.No.	PART No.	PART NAME	QTY/S.No.	I.C.	REMARKS
			A		
010	1G687-1311-0	VALVE,INLET	3		
020	1G687-1312-0	VALVE,EXHAUST	3		
030	14601-1324-0	SPRING, VALVE	6		
040	14601-1333-0	RETAINER, VALVE SPRING	6		
050	14601-1336-0	COLLET, VALVE SPRING	6	SET	
060	16851-1328-0	CAP, VALVE	6		
070	11420-1315-0	SEAL, VALVE STEM	6		
080	1G962-1426-2	SHAFT,ROCKER ARM	1		
090	16871-1443-0	WASHER	2		
100	15841-9402-2	WASHER,PLAIN	2		
110	01023-50610	BOLT,SEMS	2		
120	1G460-1435-0	BRACKET,ROCKER ARM	3		
130	01754-50640	BOLT,FLANGE	3		
140	05411-00420	PIN,SPRING	1		
150	1G460-1431-2	SPRING	2		
160	15841-1403-6	ASSY ROCKER ARM	6		
170	15841-1423-0	SCREW,ADJUSTING	6		
180	14601-1424-0	NUT	6		

↔ Interchangeable; ≠ not interchangeable; ← new for old; → old for new

060100 INLET MANIFOLD



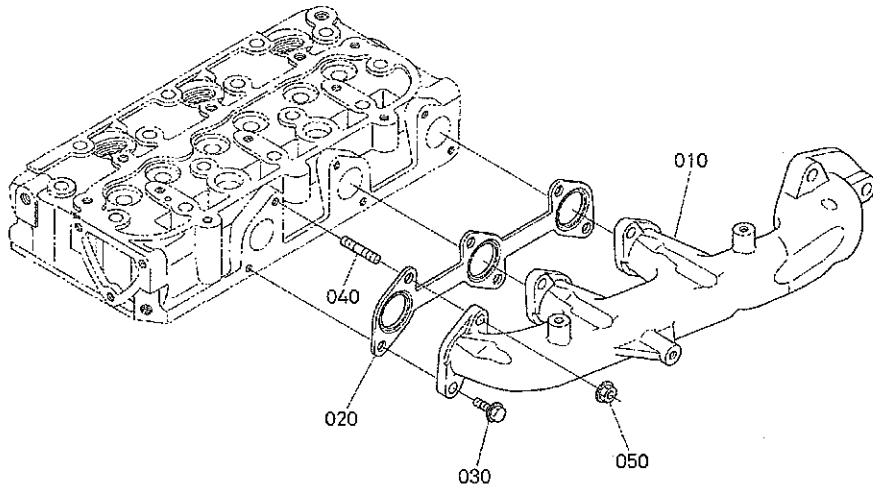
1G447-007-13

A:D902-E4B-PBS-1

REF.No.	PART No.	PART NAME	QTY/S.No.	I.C.	REMARKS
			A		
010	1G960-1177-2	MANIFOLD ASSY(INLET)	1		
015	1G959-0555-0	PIPE,BREATHER	1		
020	1G962-1182-0	GASKET,IN-MANIFOLD	1		
030	01023-50625	BOLT,SEMS	5		

↔ Interchangeable; ≠ not Interchangeable; ← new for old; → old for new

060200 EXHAUST MANIFOLD



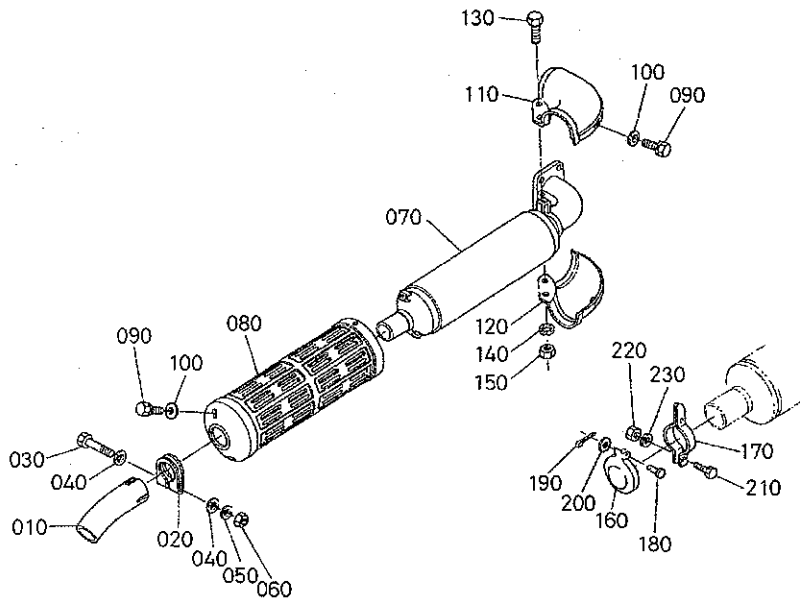
1J965-008-10

A:D902-E4B-PBS-1

REF.No.	PART No.	PART NAME	Q'TY/S.No.	I.C.	REMARKS
			A		
010	16470-1231-0	MANIFOLD,EXHAUST	1		
020	16962-1235-0	GASKET,EX-MANIFOLD	1		
030	1J090-9101-0	BOLT,UBS	3		
040	01513-50620	BOLT,STUD	3		
050	02756-50060	NUT,UBS	3		

↔ Interchangeable; ≠ not interchangeable; ← new for old; → old for new

060500 MUFFLER



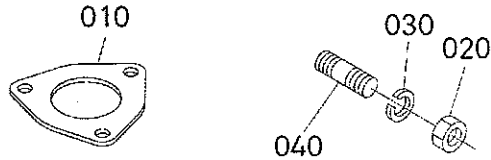
1J965-009-11

A:D902-E4B-PBS-1

REF No	PART No.	PART NAME	QTY/S.No.	I.C.	REMARKS
			A		
010	66711-5441-0	PIPE,EXHAUST	1		
020	66711-5442-0	BAND,PIPE	1		
030	01153-50865	HEX.BOLT	1		
040	04013-50080	WASHER,PLAIN	2		
050	04512-50080	WASHER,SPRING LOCK	1		
060	02114-50080	HEX.NUT	1		
070	15262-1211-0	MUFFLER	1		
080	66811-5451-0	COVER,MUFFLER	1		
090	01202-50612	BOLT,SEMS(PHILLIPS)	4		
100	04013-50060	WASHER, PLAIN	4		
110	66711-5455-0	COVER,MUFFLER FLANGE	1		
120	66711-5456-0	COVER,MUFFLER FLANGE	1		
130	01053-50628	HEX.BOLT	2		
140	04512-50060	WASHER,SPRING LOCK	2		
150	02014-50060	HEX.NUT	2		
160	19427-1267-0	CAP,MUFFLER	1		
170	19427-1268-0	BAND,MUFFLER CAP	1		
180	05122-50612	PIN	1		
190	05511-51612	PIN,SPLIT	1		
200	04012-50060	WASHER,PLAIN	1		
210	01053-50620	HEX.BOLT	1		
220	02056-50060	HEX.NUT	1		
230	04512-50060	WASHER,SPRING LOCK	1		

↔ Interchangeable; ≠ not Interchangeable; ← new for old; → old for new

080800 ACCESSORIES AND SERVICE PARTS



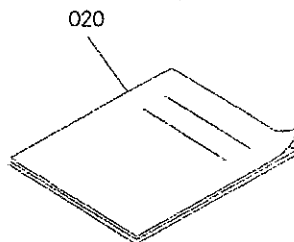
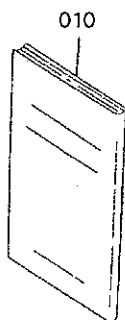
1J965-016-10

A:D902-E4B-PBS-1

REF No	PART No.	PART NAME	Q'TY/S.No.	I.C.	REMARKS
			A		
010	15862-1223-0	GASKET(MUFFLER NA)	1		
020	02156-50080	HEX.NUT	4		
030	04512-50080	WASHER,SPRING LOCK	4		
040	01513-50822	BOLT,STUD	4		

↔ Interchangeable; ≠ not Interchangeable; ← new for old; → old for new

080900 LABEL AND OPERATOR'S MANUAL



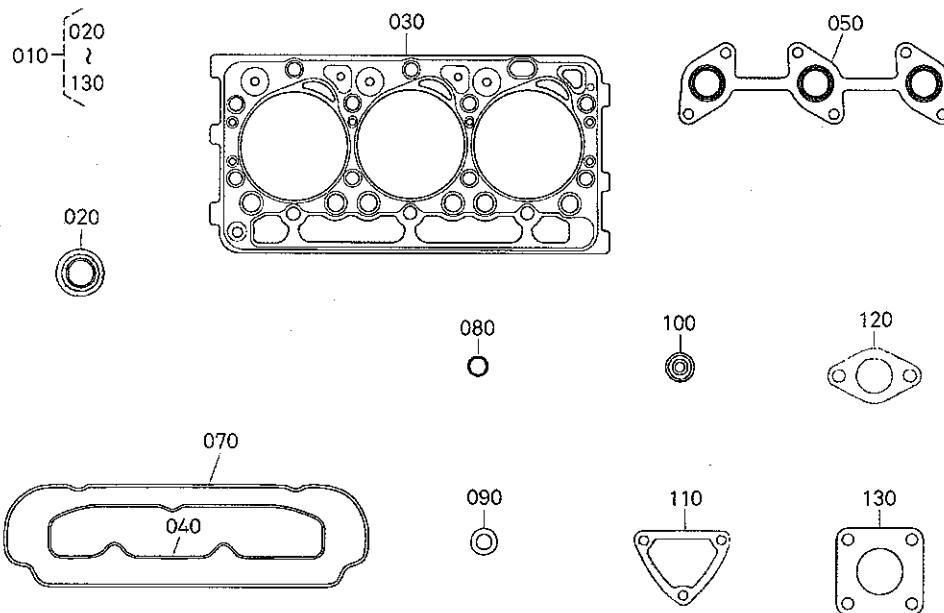
1J322-016-10

A:D902-E4B-PBS-1

REF.No.	PART No.	PART NAME	Q'TY/S.No.	I.C.	REMARKS
			A		
010	1J090-8916-0	OPERATOR'S MANUAL	1		
020	1J013-8981-0	STATEMENT, WARRANTY	1		

↔ Interchangeable; ≠ not Interchangeable; ← new for old; → old for new

090001 UPPER GASKET KIT [OPTION]



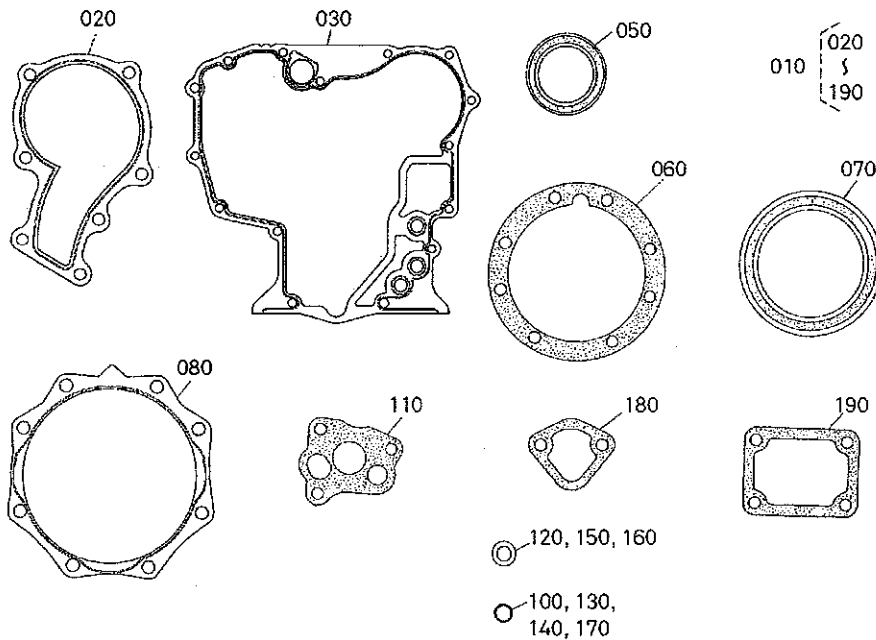
1G471-018-1Z

A:D902-E4B-PBS-1

REF.No.	PART No.	PART NAME	QTY/S.No.	I.C.	REMARKS
			A		
010	16823-9935-4	KIT GASKET, UPPER	1		
020	11420-1315-0	SEAL, VALVE STEM	6		
030	16962-0331-3	GASKET, CYL. HEAD	1		
040	16962-1182-0	GASKET, IN-MANIFOLD	1		
050	16962-1235-0	GASKET, EX-MANIFOLD	1		
060	—	BLANK	-		
070	16962-1452-2	GASKET, HEAD COVER	1		
080	1J001-9677-0	O RING	1		
090	15841-5362-2	GASKET	3		
100	19077-5365-0	SEAL, HEAT	3		
110	15841-7292-3	GASKET, WATER FLANGE	1		
120	16221-7327-0	GASKET, THERMOSTAT	1		
130	15263-1237-0	GASKET, MUFFLER NA	1		

↔ Interchangeable; ≠ not interchangeable; ← new for old; → old for new

090002 LOWER GASKET KIT [OPTION]



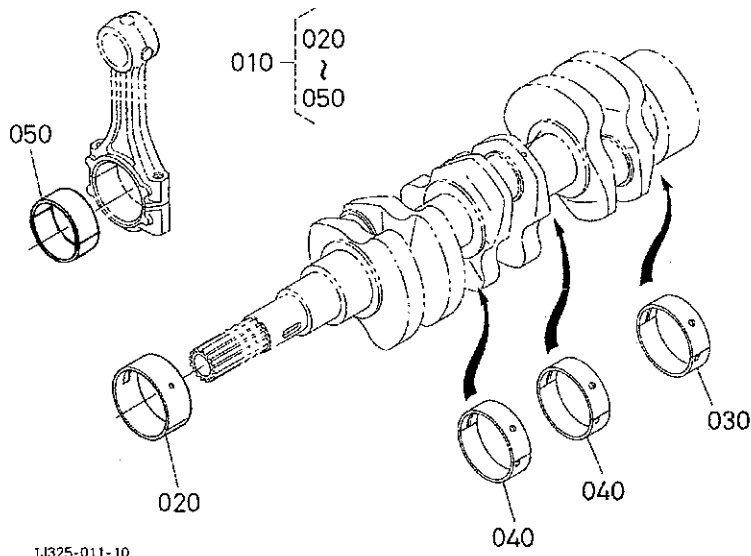
1G962-014-15

A:D902-E4B-PBS-1

REF No	PART No.	PART NAME	QTY/S.No.	I.C.	REMARKS
			A		
010	16962-9936-5	KIT GASKET,LOWER	<=4DP2999	#	
010	16962-9936-6	KIT GASKET,LOWER	>=4D00001	↔	#
020	16871-7343-0	GASKET(PUMP,WATER)	1		
030	16962-0413-0	GASKET(CASE,GEAR)	1		
040	---	BLANK	-		
050	15877-0414-0	SEAL,OIL	1	#	
050	1J094-0414-0	SEAL,OIL	>=4D00001	↔	#
060	15852-0436-0	GASKET(CASE,BRG)	1		
070	16460-0446-0	SEAL,OIL	1		
080	15841-0482-3	GASKET,CASE COVER	1		
090	---	BLANK	-		
100	04814-16220	O RING	1		
110	16851-3515-2	GASKET,OIL PUMP NA	1		
120	15601-9665-0	GASKET	1		
130	04814-10160	O-RING	1		
140	04814-10070	O-RING	1		
150	15601-9665-0	GASKET	2		
160	16265-9667-0	GASKET(PAN,OIL)	1		
170	04814-00160	O RING	1		
180	16264-5214-0	GASKET(FUEL PUMP)	1		
190	15841-5721-2	GASKET,CONTROL PLATE	1		

↔ Interchangeable; ≠ not Interchangeable; ← new for old; → old for new

090100 METAL KIT [OPTION]



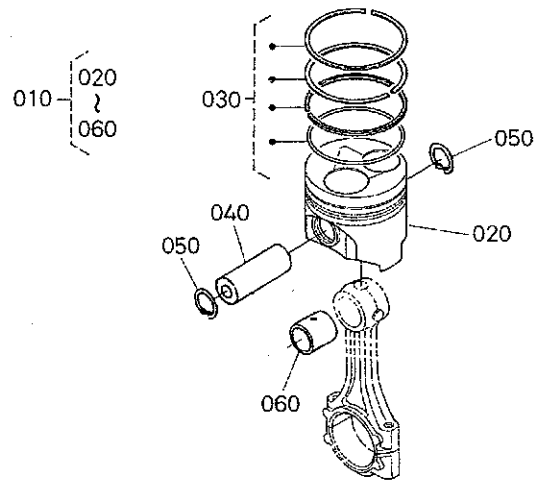
1J325-011-10

A: D902-E4B-PBS-1

REF.No.	PART No.	PART NAME	Q'TY/S.No.	I.C.	REMARKS
			A		
010	1G962-2375-5	KIT METAL,ENGINE	1		STD
010	1G962-2376-5	KIT METAL,ENGINE	1		-0.20mm/+0.20mm
010	1G962-2377-5	KIT METAL,ENGINE	1		-0.40mm/+0.40mm
020	1G460-2347-2	METAL,CRANKSHAFT	1		STD
020	1G460-2391-2	METAL,CRANKSHAFT	1		-0.20mm
020	1G460-2392-2	METAL,CRANKSHAFT	1		-0.40mm
030	1G460-2382-3	METAL,ASSY(2,CRANKSH	1		STD/SET
030	1G460-2393-3	METAL,ASSY,CRANKSHAF	1		-0.20mm/SET
030	1G460-2395-3	METAL,ASSY(2-04,CRAN	1		-0.40mm/SET
040	1G460-2383-3	METAL,ASSY(3,CRANKSH	2		STD/SET
040	1G460-2394-3	METAL,ASSY(3-02,CRAN	2		-0.20mm/SET
040	1G460-2396-3	METAL,ASSY(3-04,CRAN	2		-0.40mm/SET
050	15861-2231-4	METAL,CRANKPIN	3		STD/SET
050	15861-2297-3	METAL,CRANKPIN	3		-0.20mm/SET
050	15861-2298-3	METAL,CRANKPIN	3		-0.40mm/SET

↔ Interchangeable; ≠ not Interchangeable; ← new for old; → old for new

090300 PISTON KIT [OPTION]



1J965-010-10

A:D902-E4B-PBS-1

REF.No.	PART No.	PART NAME	QTY/S.No.	I.C.	REMARKS
			A		
010	1J091-2177-0	KIT PISTON	3		STD
010	1J091-2178-0	KIT PISTON	3		+0.25mm
020	1J091-2111-0	PISTON	3		STD
020	1J091-2190-0	PISTON	3		+0.25mm
030	1J091-2105-0	ASSY PISTON RING	3		STD
030	1J091-2109-0	ASSY PISTON RING	3		+0.25mm
040	16871-2131-0	PIN,PISTON	3		
050	15261-2133-0	CIR-CLIP, INTERNAL	6		
060	16851-2198-2	BUSH,PISTON PIN	3		

↔ Interchangeable; ≠ not Interchangeable; ← new for old; → old for new

NUMERICAL INDEX

PART No.	PAGE	REF.No.	PART No.	PAGE	REF.No.	PART No.	PAGE	REF.No.	PART No.	PAGE	REF.No.
1G962-2376-5	41	010									
1G962-2377-5	41	010									
1G962-2501-5	12	010									
1G962-4250-0	19	010									
1G962-5361-0	20	090									
1G962-6556-0	19	160									
1G962-9936-5	40	010									
1J001-9677-0	5	130									
	39	080									
1J002-0709-0	9	010									
1J013-8981-0	38	020									
1J025-0304-0	3	030									
1J090-8916-0	38	010									
1J090-9101-0	36	030									
1J091-2105-0	11	020									
	42	030									
1J091-2109-0	11	020									
	42	030									
1J091-2111-0	11	010									
	42	020									
1J091-2177-0	42	010									
1J091-2178-0	42	010									
1J091-2190-0	11	010									
	42	020									
1J091-5371-0	19	090									
1J091-5372-0	19	100									
1J094-5373-0	19	110									
66436-6402-0	25	090									
66436-6404-0	25	050									
66711-5441-0	37	010									
66711-5442-0	37	020									
66711-5455-0	37	110									
66711-5456-0	37	120									
66811-5451-0	37	080									
68111-4239-0	33	050									
6C040-8265-0	27	050									
6C040-8267-0	27	070									
6C040-8269-0	27	090									
6C040-8276-0	27	130									
6C040-8278-0	27	160									
6C040-8279-0	27	170									
6C090-5896-0	2	040									
6C140-8275-0	27	120									
6C140-8281-0	27	040									
6C140-8282-0	27	080									

Kubota®

www.kubota.co.jp

Copyright © 2011-2013 by Kubota Corporation. All rights reserved